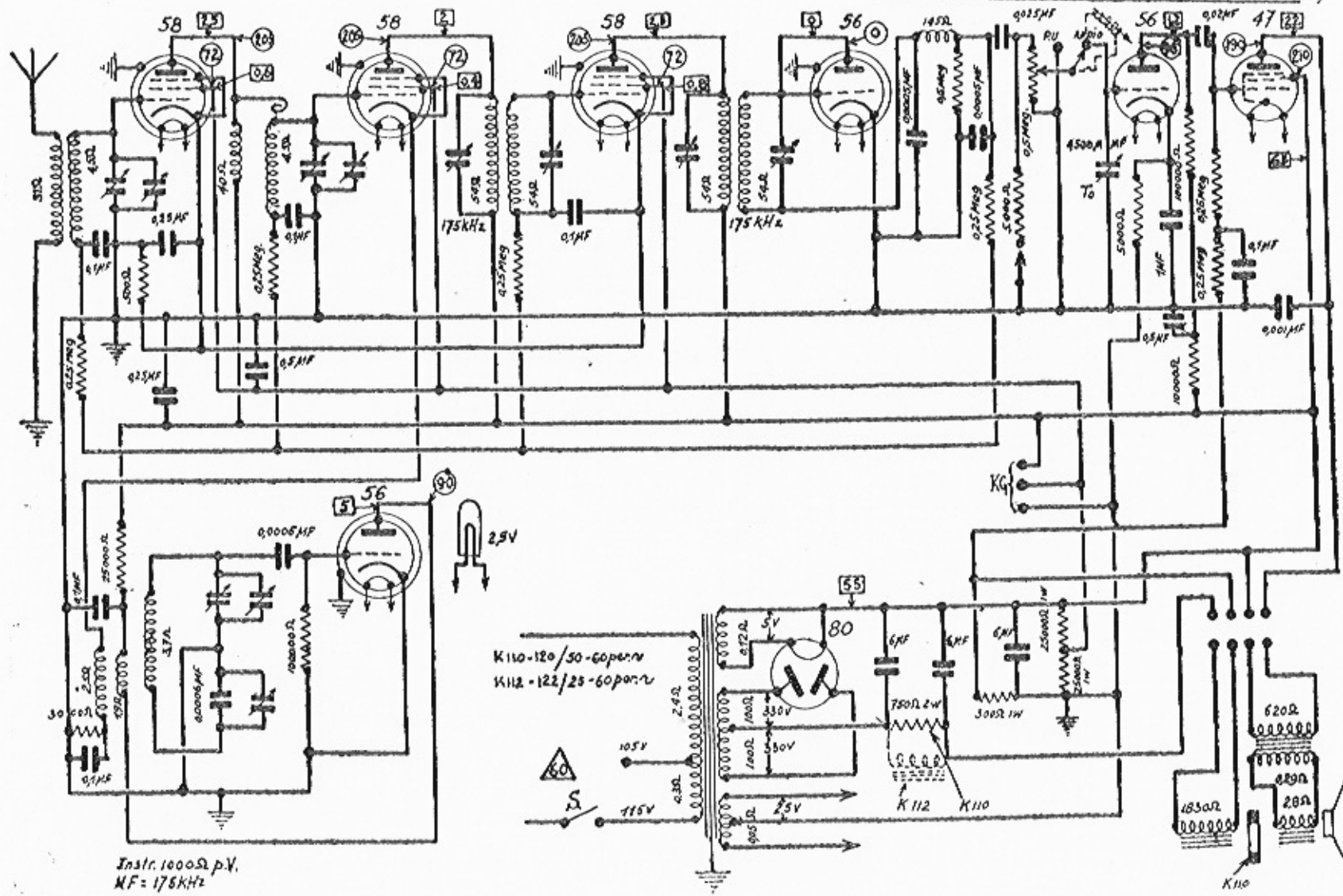


### KOLSTER K110-K112-K120-K122



Instr. 1000Ω p.V.  
MF = 175kHz