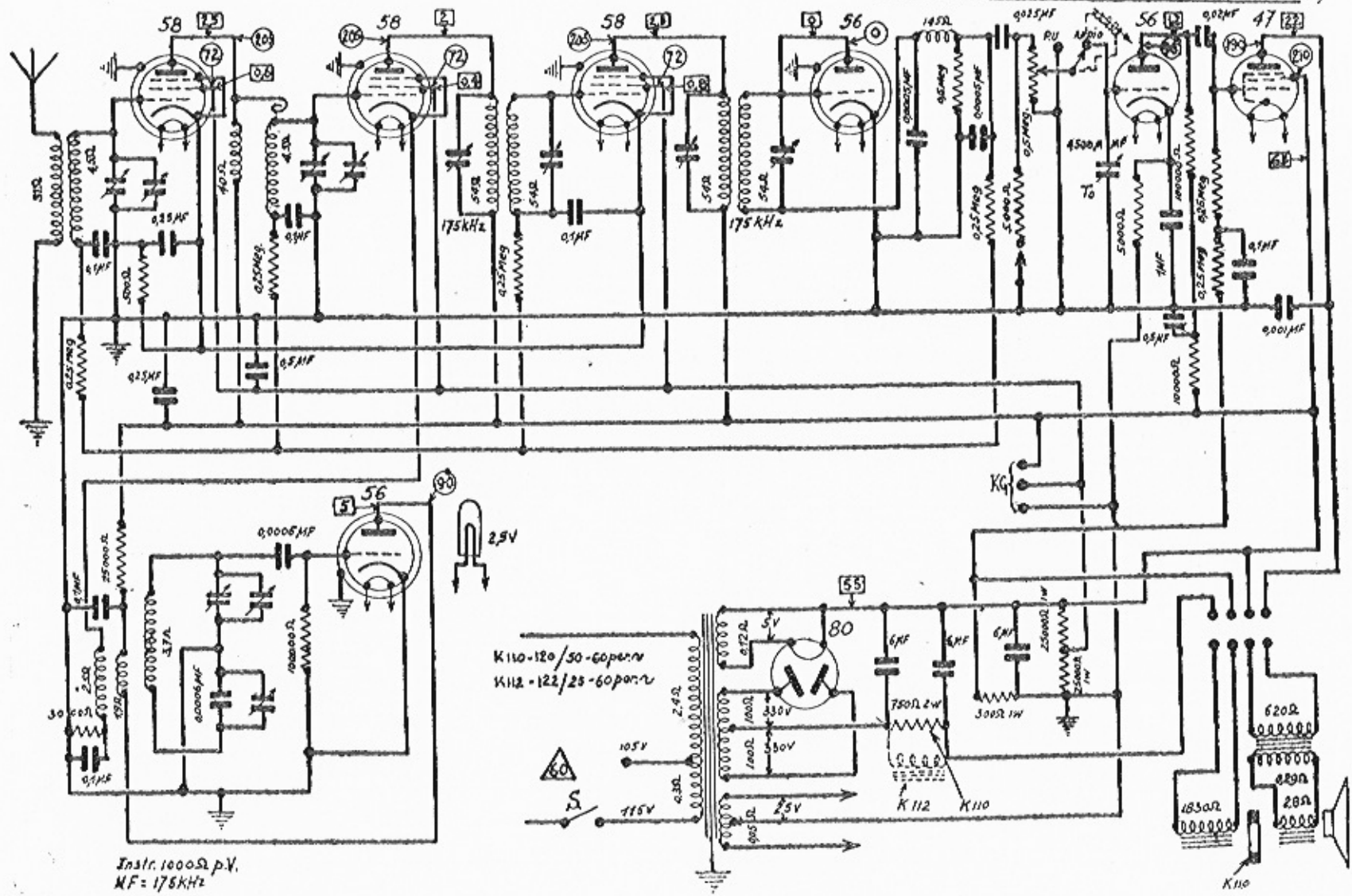


# KOLSTER K110-K112-K120-K122



Instr. 1000Ω p.V.  
MF = 175kHz

K110-120/50-60p.e.v.  
K112-122/23-60p.e.v.