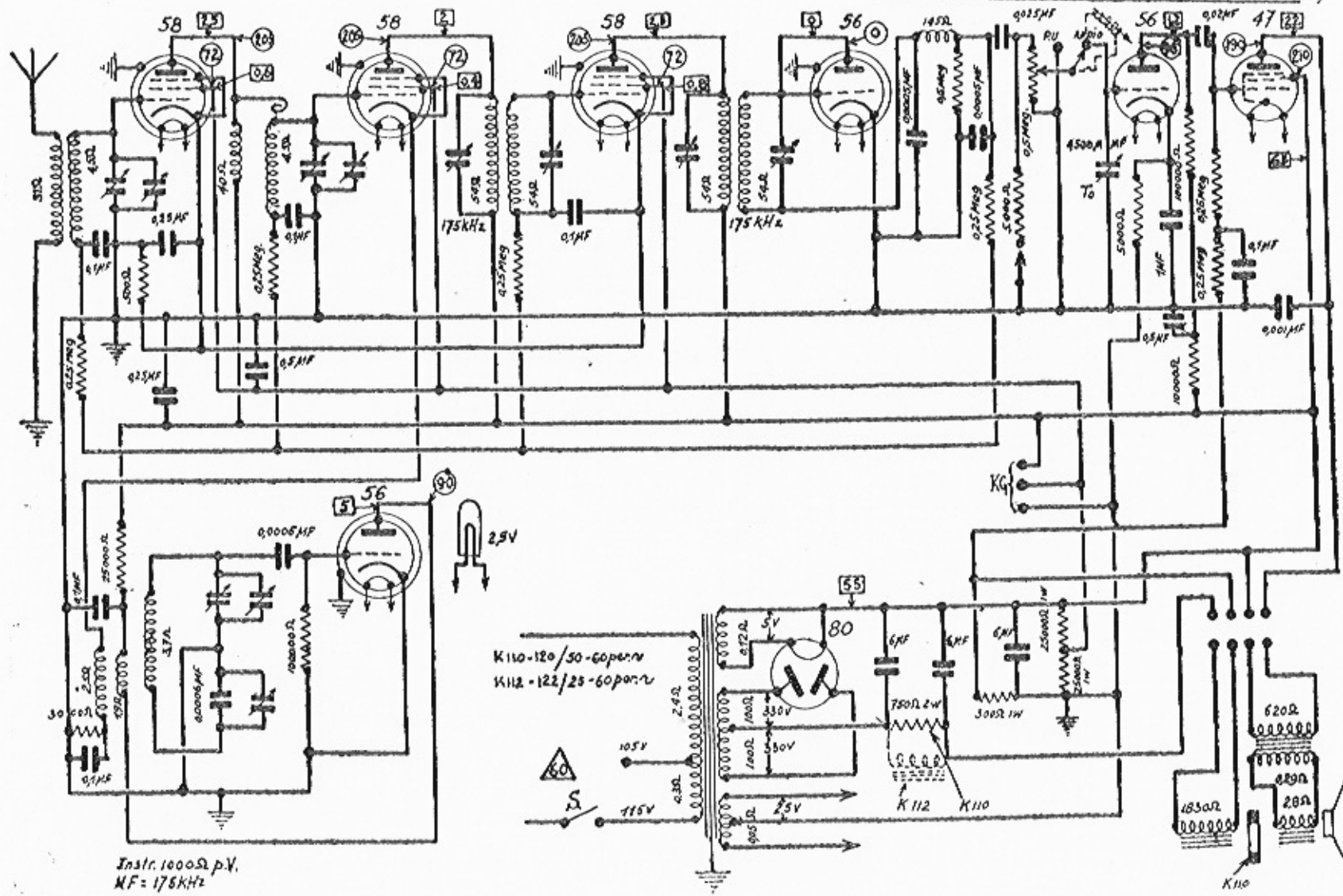


KOLSTER K110-K112-K120-K122



Instr. 1000Ω p.V.
MF = 175kHz