

# PHILIPS-SERVICE

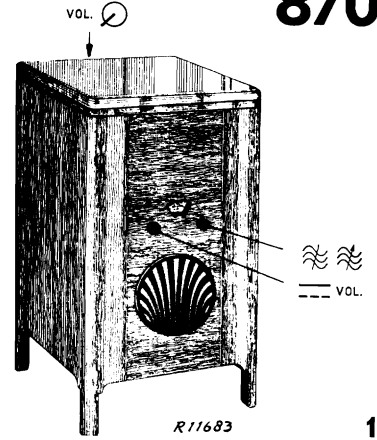
# 870 C

200—600 m  
850—2000 m

2157

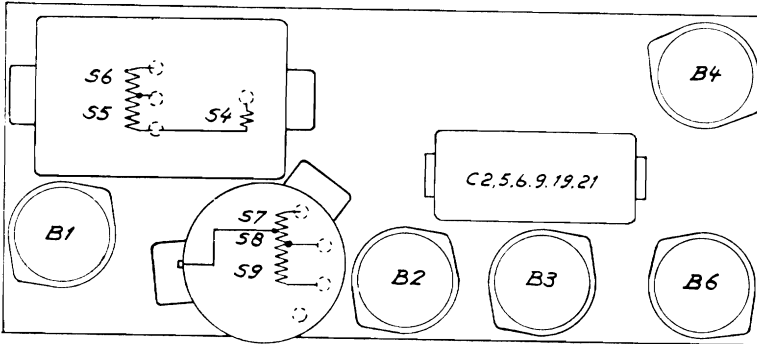
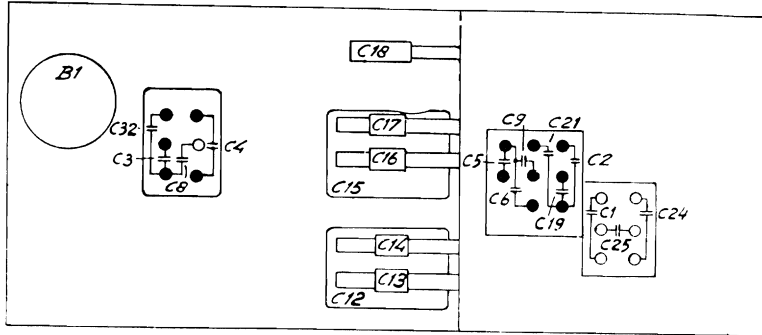
110—220V

65 W (220V)



1935

200—600 m III	200—600 m V	850—2000 m III
VOL. max 1333 kc/s—200 pF—Y C12, C15, max C16, C12, C15 max VOL. R2 — 2V C16, C12, C15 max	1333 kc/s—200pF—Y C12, C15 max 225 m	VOL. R2 — 2V 300 kc/s—200 pF—Y C12, C15 1000 m C17 max



R12074

110V

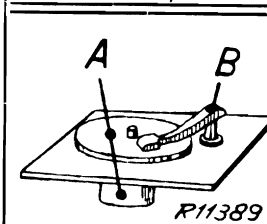
	B1	B2	B3	B4	B6	
	B2052T	B2052T	B2038	B2043	1926	
Va	85	90	55	80		V
Vg2	40	65	—	85		V
Ia	1,2	1,5	2	7		mA

220V

	B1	B2	B3	B4	B6	
	B2052T	B2052T	B2038	B2043	1928	
Va	165	185	110	155		V
Vg2	85	145	—	175		V
Ia	3	3,5	5	18		mA

150V B6 = 1927

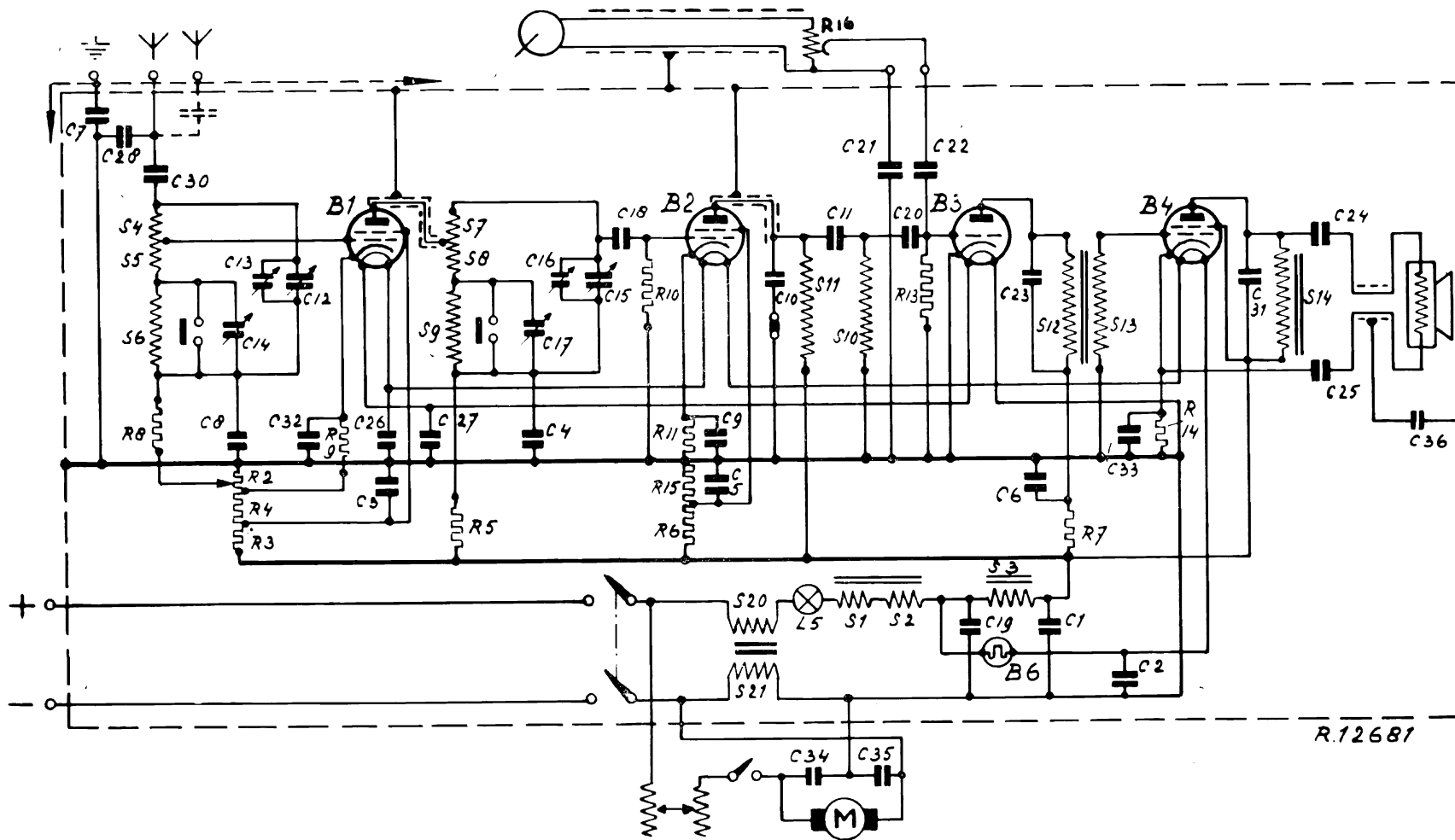
R2	3000 Ω	25 721 31.0	C1	2 μF	
R3	15000 Ω	48 427 10/15K	C24	0,2 μF	25 114 51.0*
R4	18000 Ω	48 427 10/18K	C25	0,2 μF	
R5	680 Ω	48 426 10/680E	C3	0,5 μF	
R6	15000 Ω	48 427 10/15K	C4	0,5 μF	25 114 52.0*
R7	15000 Ω	48 427 10/15K	C8	0,5 μF	
R8	0,22 MΩ	48 425 10/220K	C32	0,5 μF	
R9	470 Ω	48 426 10/470E	C2	2 μF	
R10	1 MΩ	48 426 10/1M	C5	0,5 μF	
R11	820 Ω	48 552 10/820E	C6	1 μF	25 114 53.1*
R13	0,22 MΩ	48 425 10/220K	C9	0,5 μF	
R14	680 Ω	48 426 10/680E	C19	4 μF	
R15	68000 Ω	48 427 10/68K	C21	0,5 μF	
R16	50000 Ω	—	C7	10000 pF	48 752 10/10K
			C10	1000 pF	48 429 10/1K
			C11	640 pF	48 429 10/640E
			C13	0-30 pF	28 212 36.4
			C14	0-30 pF	28 212 36.4
			C12	8-430 pF	—
			C15	8-430 pF	—
			C16	0-30 pF	28 212 36.4
			C17	0-30 pF	28 212 36.4
			C18	0-30 pF	28 212 36.4
			C20	125 pF	48 429 10/125E
			C22	22000 pF	48 750 10/22K
			C23	3200 pF	48 429 10/3K2
			C26	22000 pF	48 751 10/22K
			C27	22000 pF	48 751 10/22K
			C28	100 pF	48 429 10/100E
			C30	0-30 pF	28 212 36.4
			C31	8200 pF	48 752 10/8K2
			C33	22000 pF	48 750 10/22K
			C84	10000 pF	48 757 20/10K
			C35	10000 pF	48 757 20/10K
			C36	22000 pF	48 754 10/22K



R11389

A	Garrard	ED
B	2890	

S1, S2  
S3  
S4, S5, S6  
S7, S8, S9  
S10  
S11  
S12, S13  
S14  
S20



R.12681

