


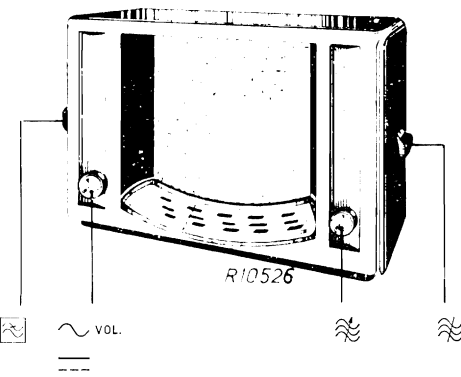


# PHILIPS SERVICE

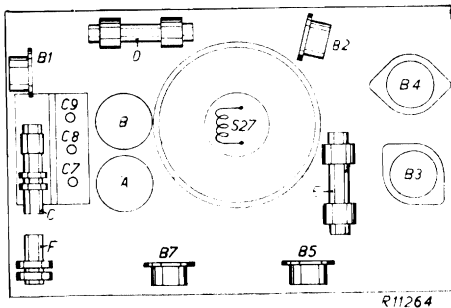
# V6HU-V6U

 16,7—51 m  
 U-20 16,7—50,5 m  
 198—585 m  
 U-20 198—565 m  
 725—1975 m  
 128 kc/s  
 U-20 { 118 kc/s  
 HU-20 {

 9619 Z = 5 Ω  
 110—125 V  
 200—225 V  
 65 W.



725—1975 m	198—585 m
C7, C8, C9 1875 m S5 min. 128 kc/s—33000 pF-g1B2 (U-29) 118 kc/s max. C24, C23 max. 128 kc/s—g4B1 (U-29) 118 kc/s C22, C21 max. 128 kc/s—500 pF (U-29) 118 kc/s	VCL max. C7, C8, C9 max. 1450 kc/s—500 pF— C7, C8, C9 1450 kc/s C10, C11 max. 725—1975 m 411 kc/s—500 pF— C12 max.



220 V ~

	B1	R2	B3	B4	B5	B7	
	CK 1	CF 3	CBC 1	CL 4	CY 1	C8/C9	
Va	216	216	58	187			V
Vg2	66	66		216			V
Vg3(5)	66						v
-Vg	2,07	2,07	2,07	8,8			V
Ia	1,3	4,7	0,52	46			mA
Ig2	1,9	1,6		5,7			mA
Ig3(5)	4,15						mA

R1	39 Ω	48 426 10/39E	C1	32 μF	28 182 40.0
R2	3900 Ω	48 426 10/3K9	C2	32 μF	28 182 40.0
R3	68000 Ω	48 427 10/68K	C3	10000 pF	48 751 10/10K
	68000 Ω	48 427 10/68K	C4	0,1 μF	48 751 10/100K
R4	47000 Ω	48 427 10/47K	C4	25 μF	28 182 46.0
	0,1 MΩ	48 425 10/100K	C5	0,1 pF	48 751 10/100K
R5	39 Ω	48 425 10/39E	C6	0,27 μF	48 751 10/270K
R6	47000 Ω	48 425 10/47K	C7	11-490 pF	
R7	0,5 MΩ	28 811 47.0	C8	11-490 pF	28 211 89.1 <sup>1)2)</sup>
R8	0,82 MΩ	48 425 10/820K	C9	11-490 pF	
R9	0,27 MΩ	48 425 10/270K	C10	7-55 pF	28 211 86.0 <sup>1)2)</sup> *
R10	1 MΩ	48 426 10/1M	C7	14-460 pF	
R11	0,47 MΩ	48 425 10/470K	C8	14-460 pF	28 211 941 <sup>1)3)</sup> *
R12	0,33 MΩ	48 426 10/330K	C9	14-460 pF	
R13	0,82 MΩ	48 425 10/820K	C10	0-18 pF	
R14	0,22 MΩ	48 425 10/220K	C11	7-55 pF	28 211 86.0*
R15	180 Ω	48 427 10/180E	C12	20 pF	28 212 18.2
R16	0,22 MΩ	48 425 10/220K	C13	90 pF	28 429 02/90E
R17	56 Ω	48 425 10/56E	C14	22 pF	48 406 10/22E
R18	120 Ω	48 468 10/120E	C15	15000 pF	48 751 10/15K
R19	0,1 MΩ	48 425 10/100K	C16	27000 pF	48 751 10/27K
R20	120 Ω	48 426 10/120E	C17	39 pF	48 406 10/39E
			C18	2 pF	28 205 88.0
			C19	700 pF	48 429 02/700E <sup>1)2)</sup>
			C19	1090 pF	48 429 02/1K09 <sup>3)4)</sup>
			C20	1490 pF	48 429 02/1K49 <sup>1)2)</sup>
			C20	1750 pF	48 429 02/1K75 <sup>3)1)</sup>
			C21	30 pF	28 212 06.2
			C22	30 pF	28 212 06.2
			C23	30 pF	28 212 06.2
			C24	30 pF	28 212 06.2
			C25	2 pF	28 205 88.0
			C26	10000 pF	48 751 10/10K
			C27	1000 pF	49 128 02.0
			C28	15 pF	48 406 10/15E
			C29	10000 pF	48 751 10/10K
			C30	0,1 μF	48 752 10/100K
			C31	4700 pF	48 752 10/4K7
			C32	4700 pF	48 752 10/4K7
			C33	100 pF	48 406 10/100E <sup>3)1)</sup>
			C34	22000 pF	48 751 10/22K
			C35	155 pF	48 429 05/155E
			C36	165 pF	48 429 05/165E
			C37	155 pF	48 429 05/155E
			C38	165 pF	48 429 05/165E

S5	28 587 52.0	S20, S21	28 587 77.1
S6, S7, S8, S9	28 571 36.0*	S22, S23	28 587 81.0
S10, S11, S12, S13	28 571 45.1*	S25, S26	28 534 72.0
S14, S15, S16	25 587 51.0	S27	28 532 730 <sup>1)1)</sup> *
S17, S18, S19		S28, S29	28 220 43.1
		S30	28 587 06.1
		S31, S32	28 546 08.1
			28 587 69.0

<sup>1)</sup> V6HU  
<sup>2)</sup> V6HU-06  
<sup>3)</sup> V6HU-20  
<sup>4)</sup> V6U-20  
<sup>5)</sup> V6U-29

# V6HU-V6U

- 53
- CK 1, B1
- 42
- CF 3, B2
- 35
- CBC 1, B3
- 41a
- CL 4, B4
- 60
- CY 1, B5
- 65
- C 8, B7
- 64
- C 9, B7

