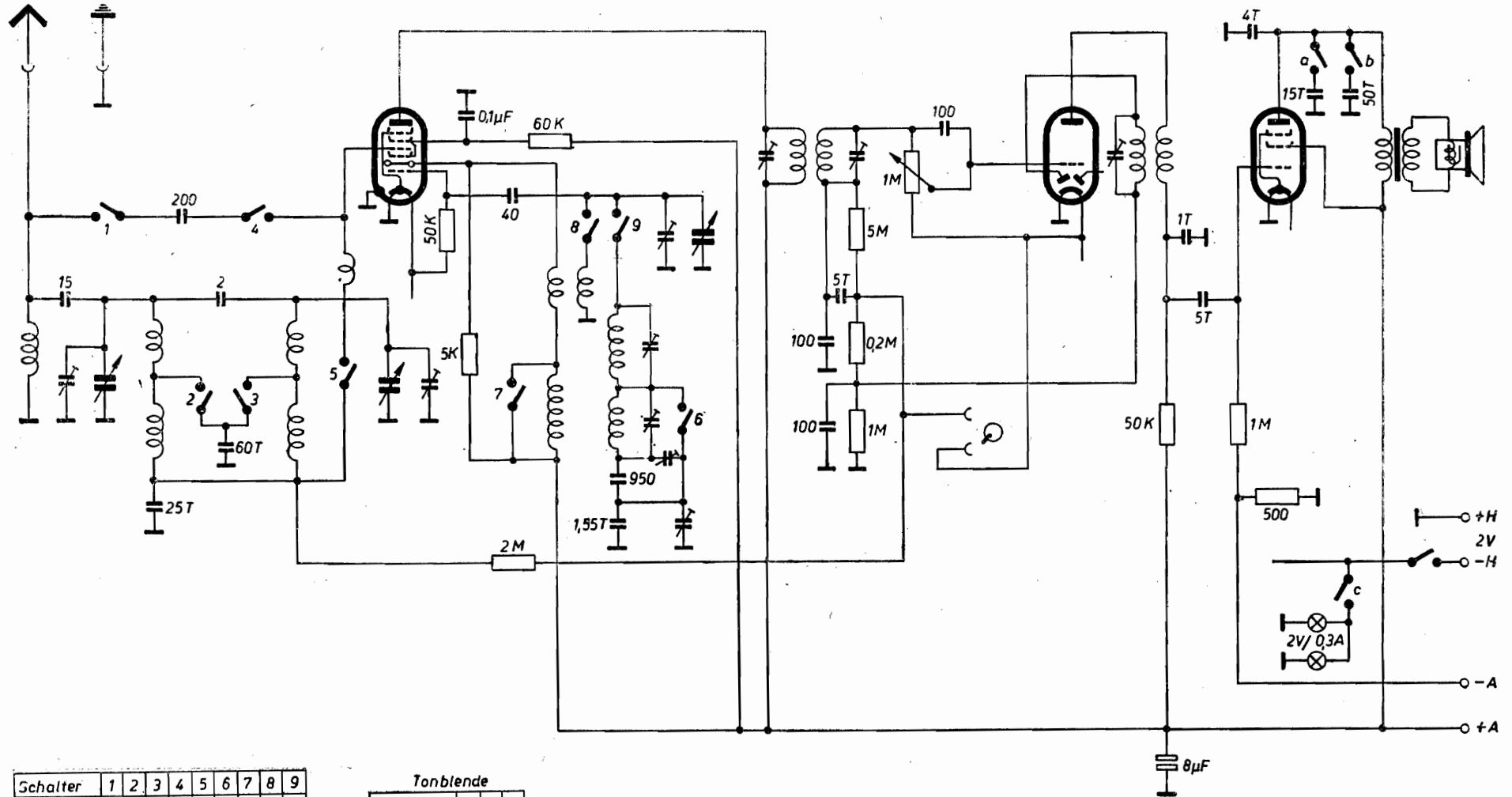




KK 2

KBC 1

KL 4



Schalter	1	2	3	4	5	6	7	8	9
Kurz	●	●	●	●	●	●	●	●	
Mittel		●	●			●			●
Mittel lokal			●			●			●
Lang									●
		●	●		●	●	●	●	●

Tonblende	a	b	c
I			
II	●		
III		●	
IV		●	●

ZF = 128 kHz

Philips B3