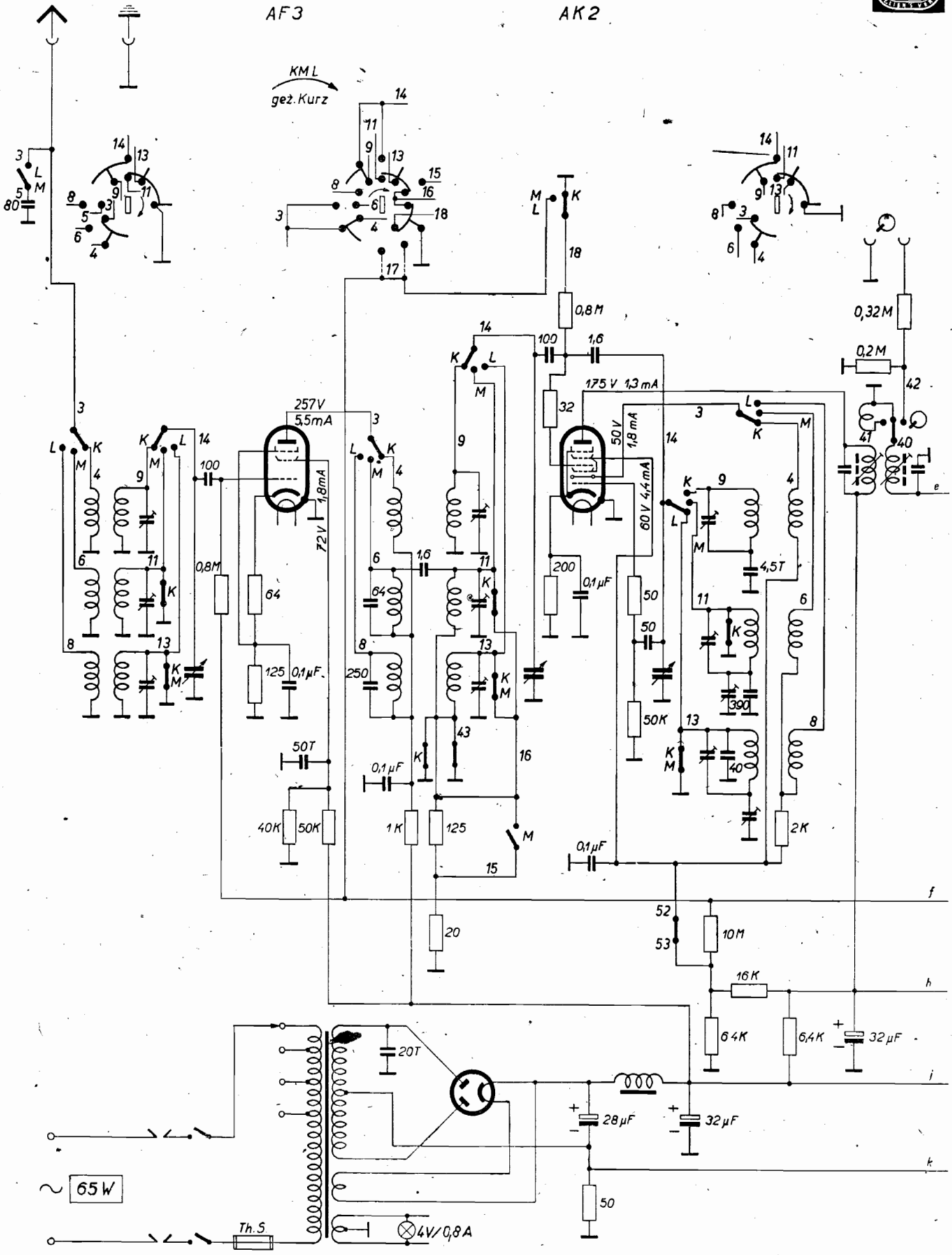




AF3

AK2



Philips Aachen D 57

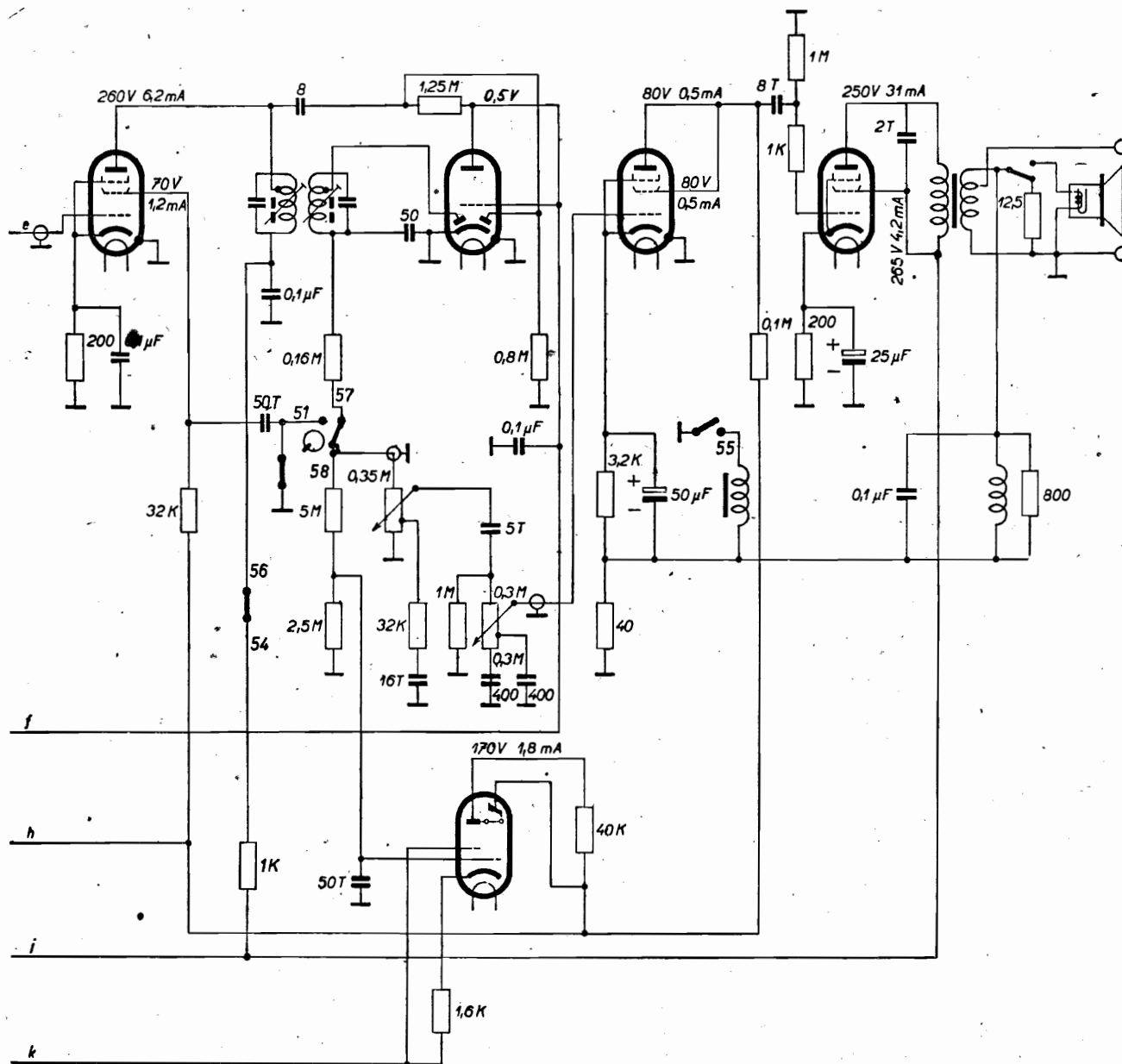
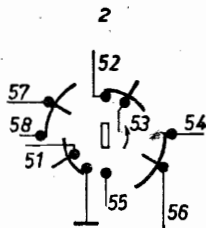
AZ1

AF3

ABC1

AF7

AL4



ZF = 468 kHz (472 kHz)

AM 2

Philips Aachen D 57