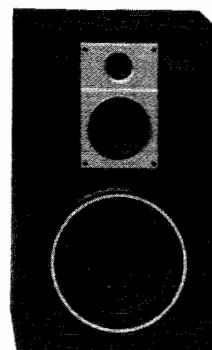


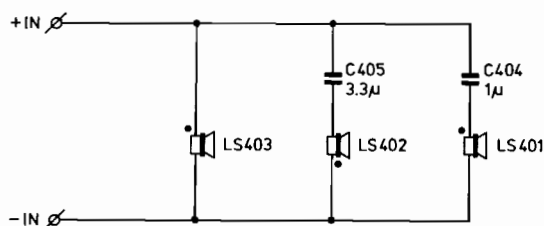
Service  
Service  
Service



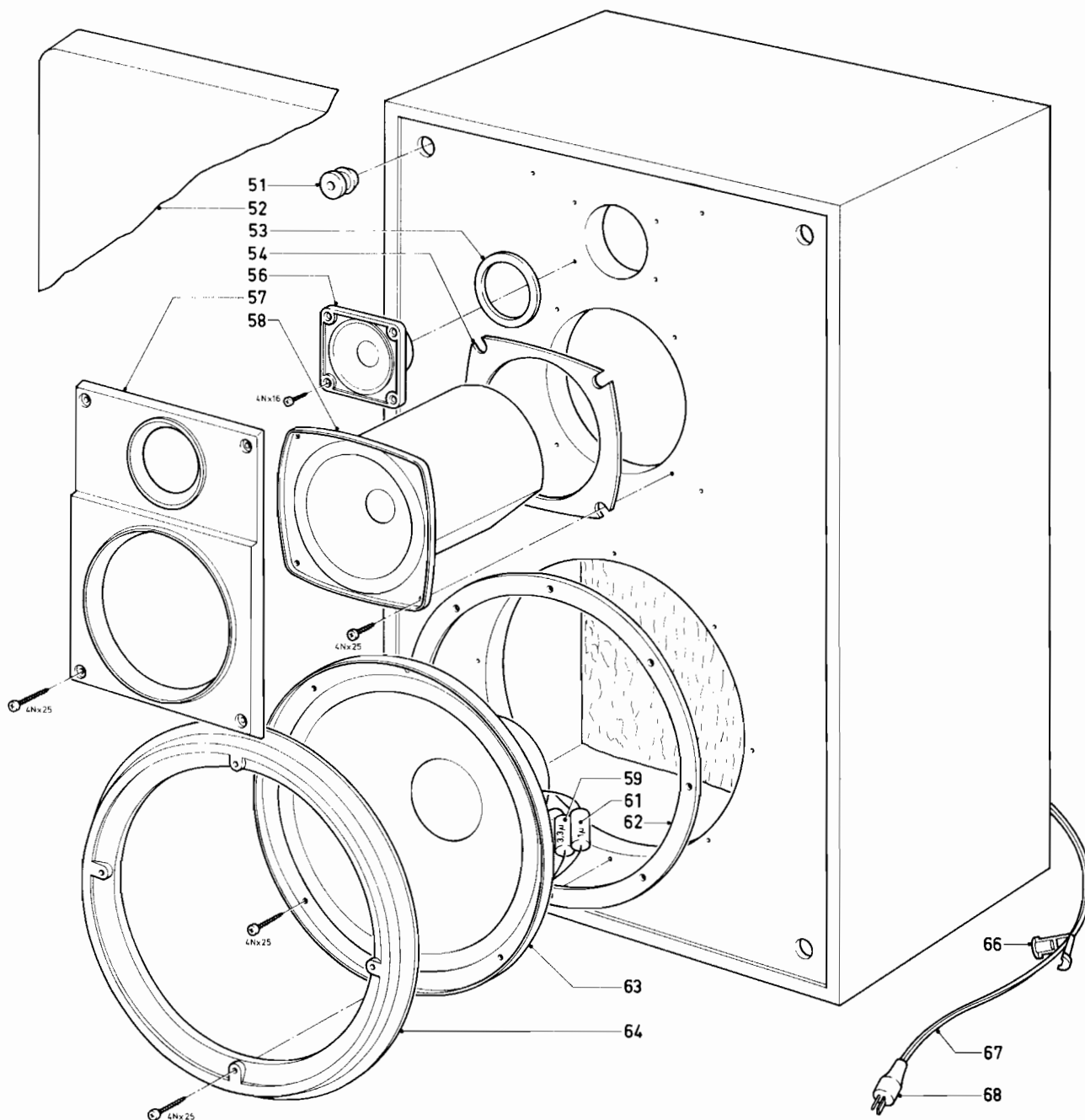
23 926A12

# Service Manual

Volume	: 20 litres
Dimensions w x h x d	: 310 x 515 x 180 mm
Rated impedance	: 8 ohm
Power handling capacity	: 50 Watt
Resonance frequency	: 19 - 80 Hz
Frequency range	: 40 - 20.000 Hz



23 753 A12



24532E3

51	4822 462 40364
52	4822 466 90981
53	4822 532 51201
54	4822 466 90976
56	4822 240 70053
57	4822 466 90982
58	4822 240 50176
59	4822 124 20747
61	4822 124 21105
62	4822 532 51076
63	4822 240 60094
64	4822 466 90979
66	4822 325 80205
67	4822 322 20014
68	4822 264 30041