

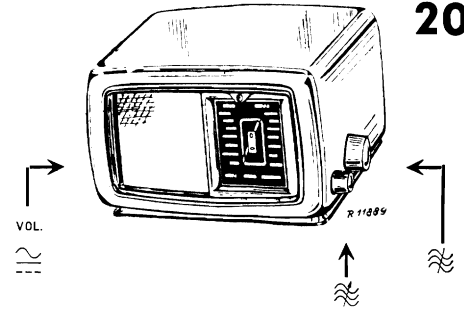
PHILIPS SERVICE

203 U

192—575 m
708—1910 m

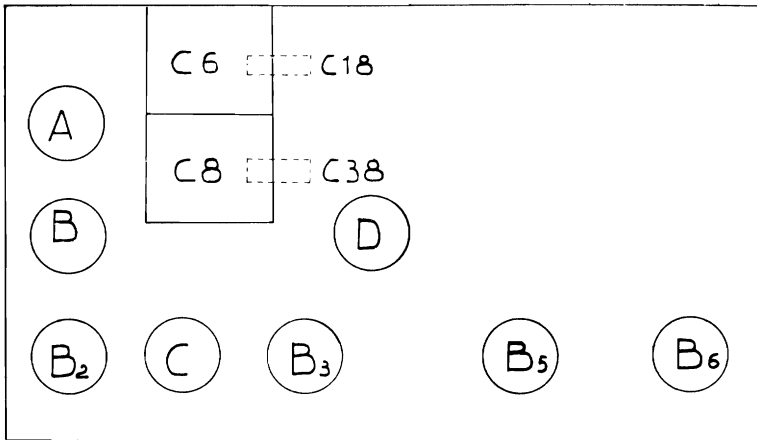
452 kc/s

	9668	} Z = 5 Ω
	9712	
	9668U—50 (U—01)	
	9668—50 (U—09)	
	{ 125 V	29,5 W, ~ 31 W
	{ 220 V	39,5 W, ~ 42 W
	{ 110 V	26,5 W, ~ 26,5 W
	{ 200 V	34 W, ~ 37 W
	U—01 } 110 V	28 W, ~ 29 W
	U—02 } { 125 V	32 W, ~ 34 W
	U—09 } { 220 V	35 W, ~ 38 W
	U—12 } 150 V — 220 V	
	U—37 }	



192—575 m	III	V
vol. max		C 6, C 8 max
C6, C8 + 15°		180°
1500 kc/s — Y		
C38, C18 max		

15° = 09.992.80.0



R 11865

125 V

	B 2		B 3		B 5	B 6	
	UCH 12		UCH 21		UBL 21	UY 21	
	H	T	H	T			
Va	90	50	90	25	95	—	V
Vg2	50	—	50	—	90	—	V
Vk	0	—	0	—	0	—	V
Ia	1	1,7	2,6	1,1	35	—	mA
Ig2	2,8	—	1,7	—	4,9	—	mA

VC1 = 100 V

VC2 = 90 V

220 V

	B 2		B 3		B 5	B 6	
	UCH 21		UCH 21		UBL 21	UY 21	
	H	T	H	T			
Va	135	80	135	40	145	—	V
Vg2	80	—	80	—	135	—	V
Vk	0	—	0	—	0	—	V
Ia	1,5	1,8	4,5	1,7	53	—	mA
Ig2	4,15	—	2,9	—	7,2	—	mA

VC1 = 165 V

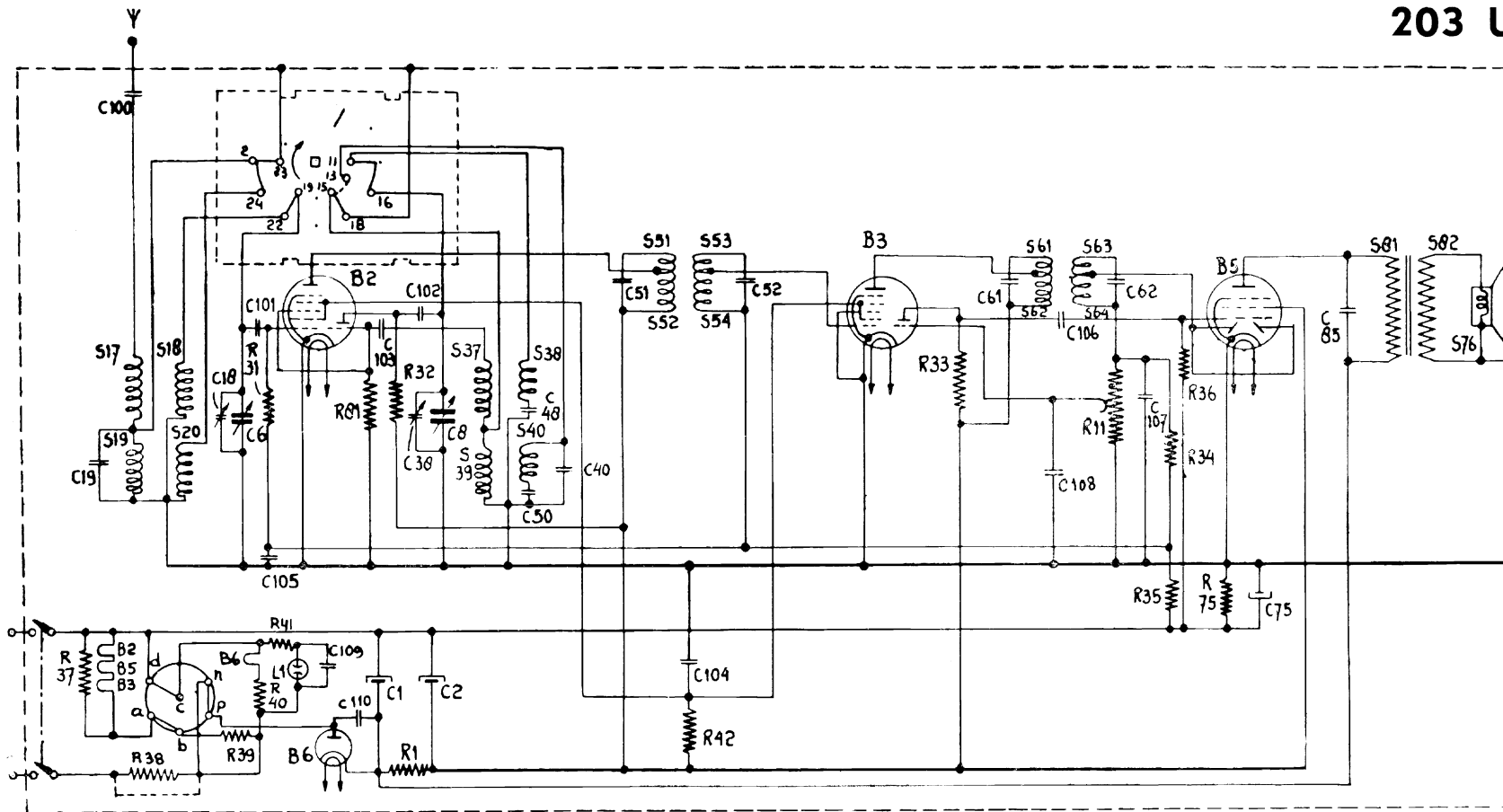
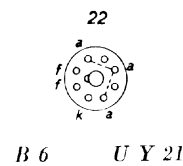
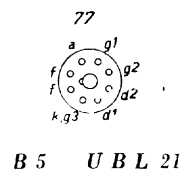
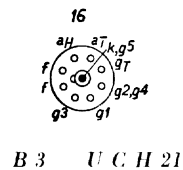
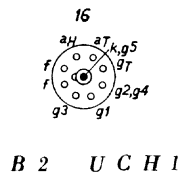
VC2 = 135 V

R1	1200 Ω	48 467 10/1K2	C1	50 μF	} 49 031 01.0
R11	0,45 +	49 500 23.0	C2	50 μF	
R31	0,82 MΩ	48 425 10/820K	C6	11—400 pF	} 49 000 53.3
R32	27000 Ω	48 426 10/27K	C8	11—400 pF	
R33	68000 Ω	48 426 10/68K	C18	7,5—100 pF	49 005 51.0
R34	1,5 MΩ	48 426 10/1M5	C19	39 pF	48 406 10/39E
R35	6,8 MΩ	48 427 10/6M8	C38	7,5—100 pF	49 005 51.0
R36	0,68 MΩ	48 425 10/680K	C40	20 pF	48 406 99/20E
R37	56000 Ω	48 426 10/56K	C48	400 pF	48 406 01/400E
R38	55 Ω	} 49 362 18.4	C50	113 pF	48 406 01/113E
R39	180 Ω		C75	100 μF	48 313 52/100
R40	620 Ω	C85	4700 pF	48 757 20/4K7	
R41	27000 Ω	48 425 10/27K	C100	1000 pF	48 757 20/1K
R42	10000 Ω	48 427 10/10K	C101	100 pF	48 406 10/100E
R75	220 Ω	48 427 10/220E	C102	470 pF	48 406 20/470E
	270 Ω	48 427 10/270E	C103	47 pF	48 406 10/47E
R81	47000 Ω	48 425 10/47K	C104	47000 pF	48 751 20/47K
			C105	47000 pF	48 750 20/47K
			C106	6800 pF	48 751 20/6K8
			C107	100 pF	48 406 10/100E
			C108	68 pF	48 406 20/68E
			C109	1000 pF	48 751 20/1K
			C110	22000 pF	48 758 20/22K

S17, S18, S19, S20
S37, S38, S39, S40
C51, C52, S51 }
S52, S53, S54 }
C61, C62, S61, }
S62, S63, S64 }
S76
S81, S82

A1 037 11 0
A1 037 10 0
A1 037 13 0
A1 037 12 4
49 981 03.0
A1 081 82 0

93952 14.1.



R 11885

