

# PHILIPS-SERVICE

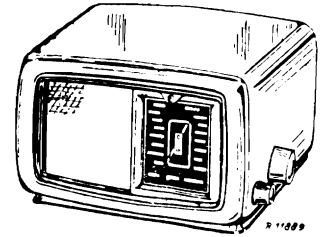
# 204 U-00-19-20-32-37

15-51 m  
192-575 m

9668 Z = 5Ω  
110 V — 200 V  
125 V — 220 V

452 kc/s

110 V = 25,5 W    110 V ~ 26,5 W  
125 V = 29,5 W    125 V ~ 31 W  
220 V = 39,5 W    220 V ~ 42 W

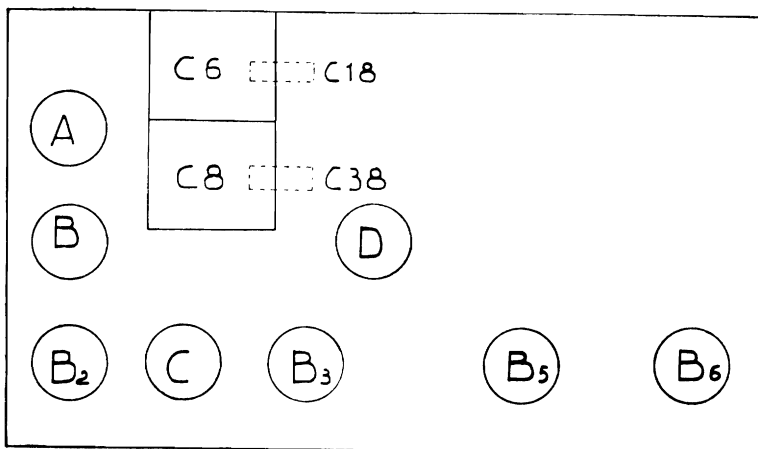


192-575 m III	15-51 m III	V
VOL max C6, C8 + 15° 1500 kc/s — Y C38, C 18 max	VOL max 15,2 Mc/s — Y C14 max	C6, C8, max 180°

15° = 09 992 80.0

1941/42

R1	1200 Ω	48 467 10/1K2	C1	50 μF	49 031 01.0*
R11	0,45 + 0,05 MΩ	49 500 11.0	C2	50 μF	
R31	0,82 MΩ	48 425 10/820K	C6	11-400 pF	49 000 53.3
R32	10000 Ω	48 426 10/10K	C8	11-400 pF	
R33	68000 Ω	48 426 10/68K	C14	7½-100 pF	49 005 51.2
R34	1,5MΩ	48 426 10/1M5	C18	7½-100 pF	
R35	6,8MΩ	48 427 10/6M8	C38	7½-100 pF	49 005 51.2
R36	0,68MΩ	48 551 10/680K	C50	395 pF	
R37	56000 Ω	48 425 10/56K	C51	103 pF	48 601 01/395E
R38	55 Ω	49 362 18.9	C52	103 pF	
R39	180 Ω		C61	103 pF	—
R40	620 Ω	C62	103 pF	—	
R41	27000 Ω	C75	100 μF	48 313 52/100	
R42	10000 Ω	C85	4700 pF	48 757 20/4K7	
R75	220 Ω	48 427 10/10K	C100	1000 pF	48 757 20/1K
	270 Ω	48 427 10/220E	C101	100 pF	48 601 10/100E
R81	270 Ω	48 427 10/270E	C102	470 pF	48 601 20/470E
	47000 Ω	48 551 10/47K	C103	82 pF	48 601 10/82E
			C104	47000 pF	48 751 20/47K
			C105	47000 pF	48 750 20/47K
			C106	6800 pF	48 751 20/6K8
			C107	100 pF	48 601 10/100E
			C108	68 pF	48 601 20/68E
			C109	1000 pF	48 751 20/1K
			C110	22000 pF	48 758 20/22K
			C111	39 pF	48 601 10/39E
S13, S14, S17, S18	A1.037.48.0	S61, S62, S63	A1.037.12.4		
S33, S34, S37, S38, S100	A1.037.49.0	S64, C61, C62	49.981.03.0		
S51, S52, S53 S54, C51, C52	A1.037.13.0	S76 S81, S82		A3.151.61.1	
		Z	600 mA	08 140 43.2 <sup>1)</sup>	



R 11865

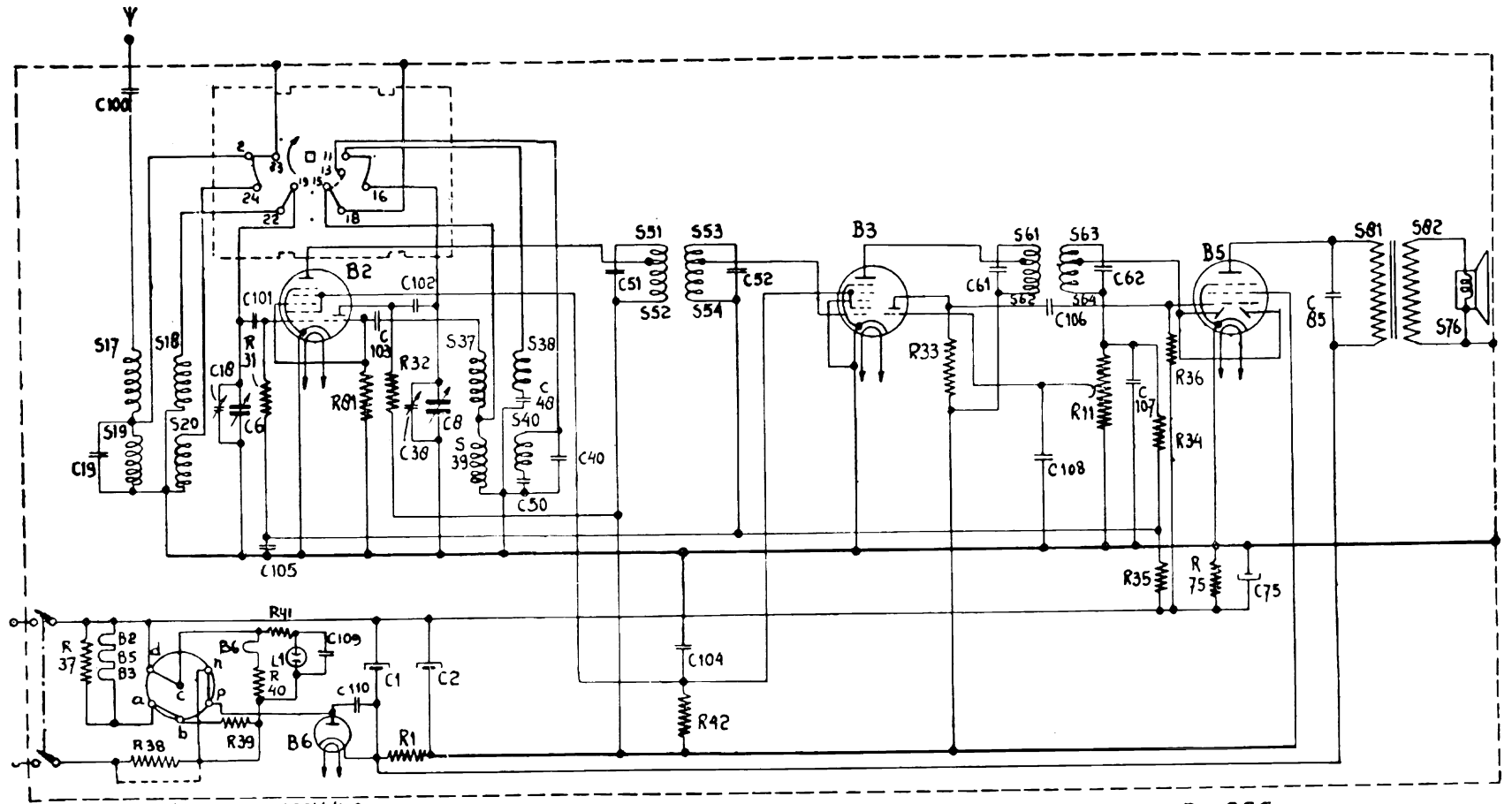
	B2	B3	B5	B6	
	UCH21	UCH21	UBL21	UY21	
Va	T80—H135	T40—H135	145		V
Vg2(4)	80	80	135		V
Vk	—	—	—		V
Ia	T1,8—H1,5	T1,7—H4,5	53		mA
Ig2(4)	4,15	2,9	7,2		mA

VC1 = 165 V; VC2 = 135V

Copyright  
N.V. Philips' Gloeilampenfabrieken, Eindhoven  
Imprimé en Hollande

<sup>1)</sup> —U—37

93 952 71.1



R 11885

