

PHILIPS SERVICE

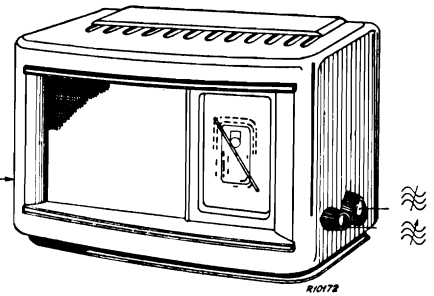
208 U-01-19-40

16,5-51 m (18,2-5,88 Mc/s)
 196-570 m (1530-522 kc/s)
 750-1910 m (400-157 kc/s)

9686 U-50 Z = 5 Ω
 110 V, 125 V, 220 V.

452 kc/s

± 34 W

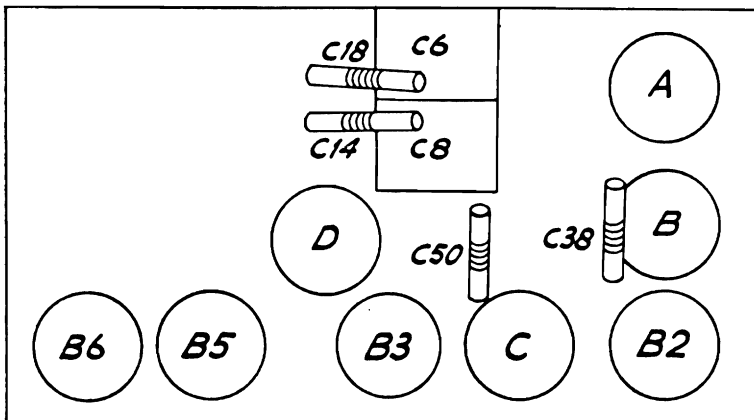


| | 196-570 m | 750-1910 m | 16.5-51 m |
|------|---------------|-------------------|------------------|
| VOL. | max | max | max |
| | C6, C8 + 15° | 1875 m (160 kc/s) | 17,8 Mc/s — Y |
| | 1450 kc/s — Y | 160 kc/s — Y | C6, C8 17,8 Mc/s |
| | C38 max | C50 max | C14 max |
| | C18 max | | |

15° 09 992 50.0

1943

| | | | | | | |
|------|---------------|----------------|----------------|-----------|----------------|-------------|
| R11 | 0,45 + 0,05 M | 49 500 23.0 | C1 | 27 μF | 49 021 03.0 | |
| R31 | 0,82 MΩ | 48 557 10/820K | C2 | 2,5 μF | 49 021 04.1 | |
| R32 | 10 KΩ | 48 557 10/10K | C3 | 2,5 μF | 49 021 04.1 | |
| R33 | 68 KΩ | 48 557 10/68K | C6 | 11-400 pF | A9 863 99.0 | |
| R34 | 1,5 MΩ | 48 557 10/1M5 | C8 | 11-400 pF | | |
| R35 | 6,8 MΩ | 48 557 10/6M8 | C14 | 32 pF | 49 005 51.2 | |
| R36 | 0,68 MΩ | 48 557 10/680K | C18 | 32 pF | 49 005 51.2 | |
| R39 | 520 Ω | 49 362 90,2 | C19 | 39 pF | 48 203 10/39E | |
| R40 | 600 Ω | | C20 | 22 pF | 48 201 10/22E | |
| R44 | 75 Ω | | C38 | 32 pF | 49 005 51.2 | |
| R45 | 580 Ω | | C40 | 33 pF | 48 203 10/33E | |
| R42 | 5600 Ω | | C48 | 395 pF | 48 203 01/395E | |
| R43 | 150 Ω | | 48 557 10/5K6 | C50 | 200 pF | 49 005 53.2 |
| R46 | 4700 Ω | | 48 494 10/150E | C51 | 103 pF | — |
| R75 | 220 Ω par | | 48 557 10/4K7 | C52 | 103 pF | — |
| | 270Ω = 120Ω | | 48 557 10/220E | C52 | 103 pF | — |
| | | | 48 557 10/270E | C61 | 103 pF | — |
| R81 | 47 KΩ | 48 557 10/47K | C62 | 103 pF | — | |
| R82 | 470 Ω | 48 467 10/470E | C75 | 100 μF | 48 313 22/100 | |
| R100 | 10 KΩ | 48 557 10/10K | C85 | 4700 pF | 48 757 20/4K7 | |
| | | | C100 | 1000 pF | 48 757 20/1K | |
| | | | C101 | 100 pF | 48 203 10/100E | |
| | | | C102 | 470 pF | 48 203 10/470E | |
| | | | C103 | 82 pF | 48 203 10/82E | |
| | | | C104 | 47000 pF | 48 751 10/47K | |
| | | | C105 | 47000 pF | 48 750 10/47K | |
| | | | C106 | 6800 pF | 48 751 10/6K8 | |
| | | | C107 | 100 pF | 48 203 10/100E | |
| | | | C108 | 68 pF | 48 203 10/68E | |
| | | | C110 | 22000 pF | 48 758 20/22K | |
| | | | C111 | 56 pF | 48 203 10/56E | |
| | | | C112 | 2,5 μF | 49 021 04.1 | |
| | | | C120 | 0,1 μF | 48 751 10/100K | |



R14116

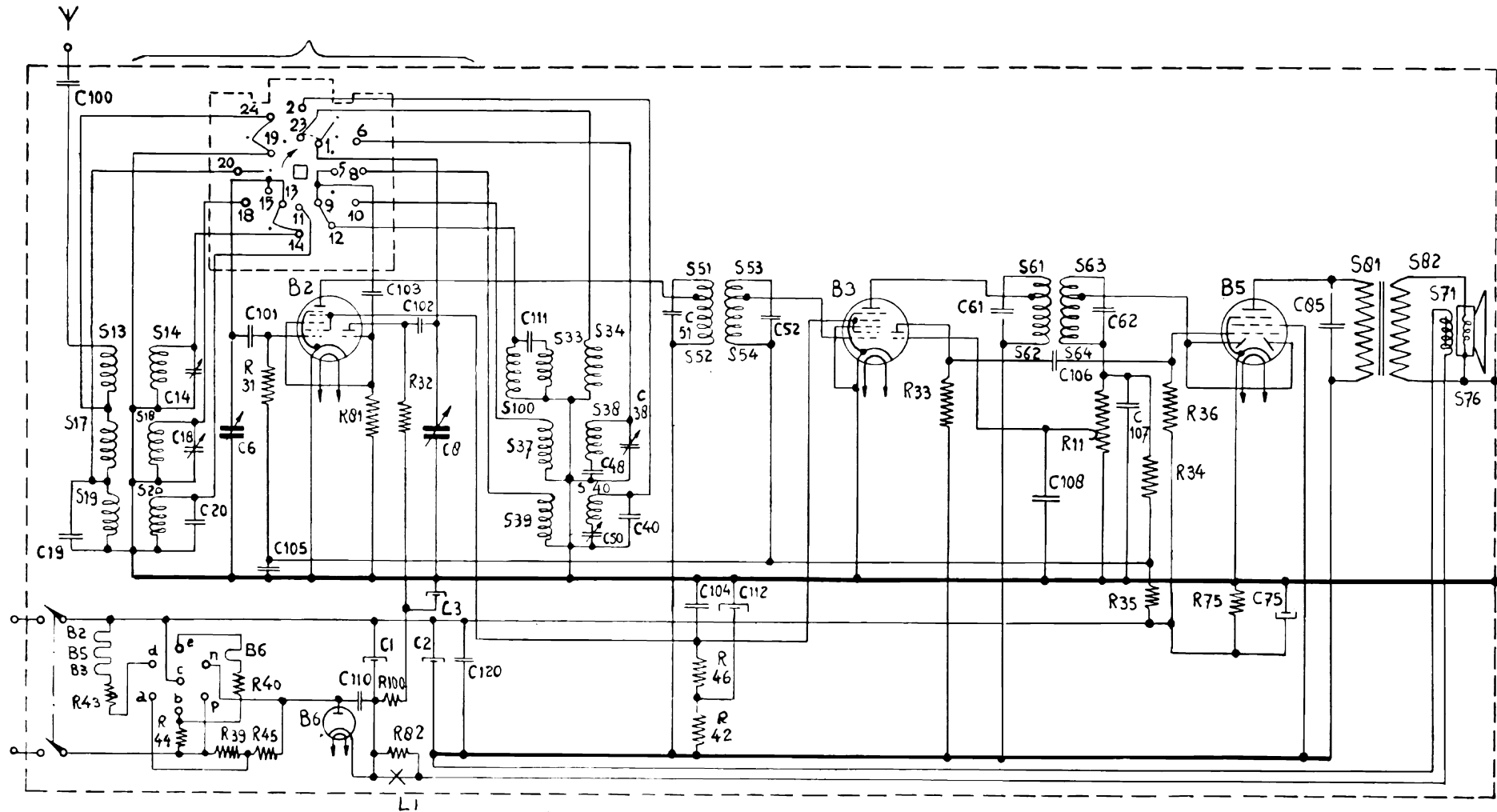
| | B2 | B3 | B5 | B6 | |
|--------|----------------------|----------------------|--------|------|----|
| | UCH 21 | UCH 21 | UBL 21 | UYIN | |
| Va | aT = 80 aH = 110 | aT = 25 aH = 110 | 105 | — | V |
| Vg2(4) | 70 | 70 | 115 | — | V |
| Vk | 0 | 0 | 0 | — | V |
| Ia | aT = 2,8 aH = 1,3 | aT = 1,3 aH = 1,9 | 35 | — | mA |
| Ig2(4) | 2,6 | 1,3 | 5,6 | — | mA |

VC1 = 145 V, VC2 = 115 V, VC3 = 120 V, VC75 = 6 V, VS71 = 30 V, IS71 = 54 mA.

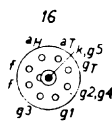
Copyright
 N.V. Philips Gloeilampenfabrieken, Eindhoven
 Imprimé en Hollande

| | | | |
|--------------------------------|--------------|--------------------------------|--------------|
| S13, S14, S17, S18 | A1 037 48.0* | S61, S62, S63, S64 C61, C62 | A1 037 12.4* |
| S19, S20 | A1 002 07.1 | S 71 | |
| S33, S34, S37, S38, S100 | A1 038 83.1* | S76 | A1 001 87.4* |
| S39, S40 | | A1 002 08.0* | S81, S82 |
| S51, S52, S53, S54 C51, C52 | A1 037 13.0* | | |

93953.11.1

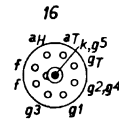


UCH 21



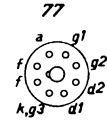
B 2

UCH 21



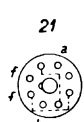
B 3

UBL 21

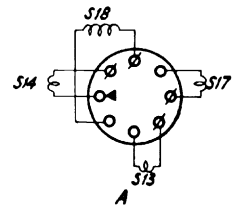


B 5

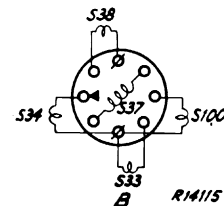
UYIN



B 6

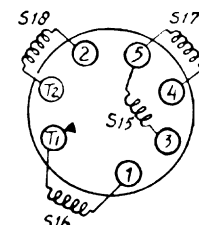


A

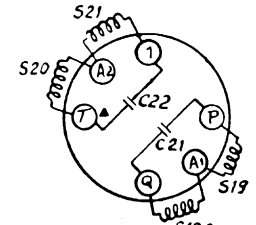


B

R1415



C



D

R10153