

PHILIPS SERVICE

208 U-10-46-48

16,5-51 m (18,2-5,88 Mc/s)
 196-570 m (1530-522 kc/s)
 750-1910 m (400-157 kc/s)

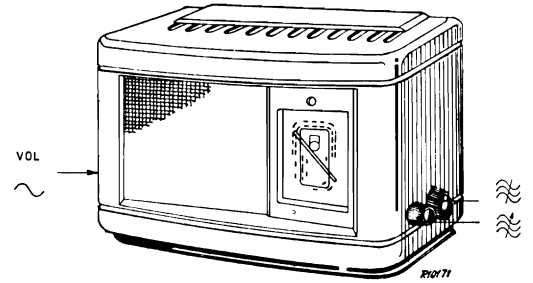
9686 U-50 Z = 5 Ω
 110 V, 125 V, 220 V.

452 kc/s

± 34 W.

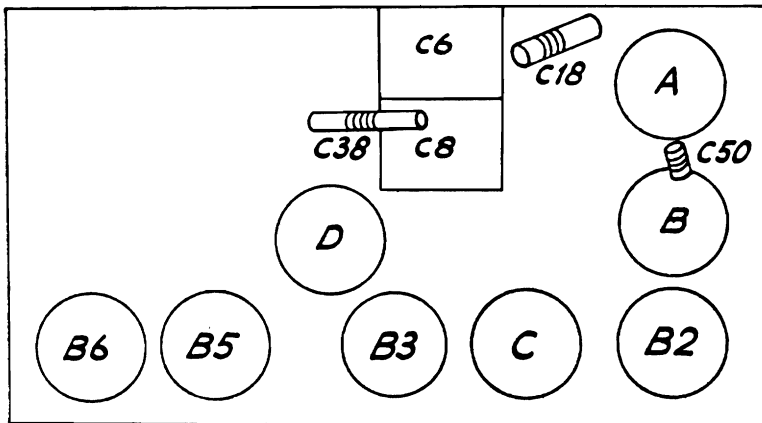
	196-570 m	750-1910 m	
VOL	max	max	
	C6, C8 ± 15°	1875 m (160 kc/s)	
	1500 kc/s — Y	160 kc/s — Y	
	C38 max	C50 max	
	C18 max		

15° 09 992 50.0



1943

R11	0,45 ± 0,05M	49 500 23.0	C1	27 μF	49 021 03.0
R31	0,82 MΩ	48 557 10 820K	C2	2 × 2,5 μF	49 021 04.0
R32	10 KΩ	48 557 10 10K	C6	11-400 pF	A9 863 99.0
R33	68 KΩ	48 557 10 68K	C8	11-400 pF	
R34	1,5 MΩ	48 557 10 1M5	C14	10 pF	48 201 10 10E
K35	6,8 MΩ	48 557 10 6M8	C18	32 pF	49 005 51.2
R36	0,68 MΩ	48 557 10 680K	C19	39 pF	48 203 10 39E
R39	520 Ω		C20	12 pF	48 201 1 E
R40	600 Ω	49 362 90.2	C38	32 pF	49 005 5
R44	75 Ω		C40	22 pF	48 201 05 22E
R45	580 Ω		C48	382,5 pF	48 203 01 382E
R41	27 KΩ	48 557 10 27K	C50	125 pF	49 005 52.2
R42	5600 Ω	48 557 10 5K6	C51	103 pF	—
R43	150 Ω	48 494 10 150E	C52	103 pF	—
R46	4700 Ω	48 557 10 4K7	C61	103 pF	—
R47	56 KΩ	48 557 10 56K	C62	103 pF	—
R75	220Ω par	48 557 10 220E	C75	100 μF	48 313 22 100
	270Ω = 120Ω	48 557 10 270E	C85	4700 pF	48 757 20 4K7
R81	47 KΩ	48 557 10 47K	C100	1000 pF	48 757 20 1K
			C101	100 pF	48 203 10 100E
			C102	470 pF	48 203 10 470E
			C103	47 pF	48 203 10 47E
			C104	47000 pF	48 751 10 47K
			C105	47000 pF	48 750 10 47K
			C106	6800 pF	48 751 10 6K8
			C107	100 pF	48 203 10 100E
			C108	68 pF	48 203 10 68E
			C109	1000 pF	48 751 20 1K
			C110	22000 pF	48 758 20 22K
			C112	2,5 μF	49 021 04.1
			C120	0,1 μF	48 751 10 100K



RH121

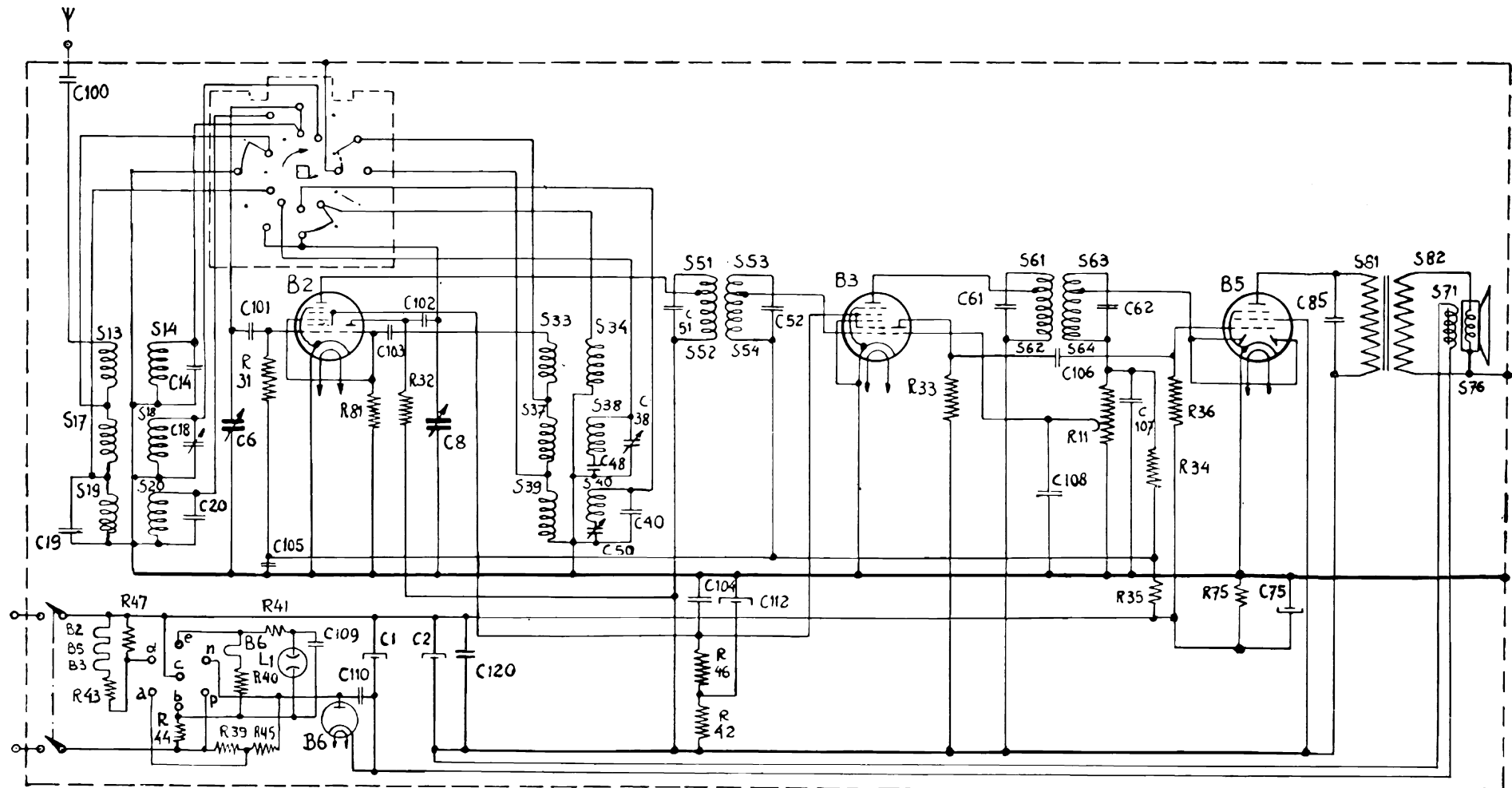
	B2	B3	B5	B6	
	UCH 21	UCH 21	UBL 21	UYIN	
Va	aT= 80 aH=110	aT= 25 aH=110	105	—	V
Vg2(4)	70	70	115	—	V
Vk	0	0	0	—	V
Ia	aT= 2,8 aH= 1,3	aT= 1,3 aH= 1,9	35	—	mA
Ig2(4)	2,6	1,3	5,6	—	mA

VC1 = 145 V, VC2 = 115 V, VC3 = 120 V, VC75 = 6 V, VS71 = 30 V, IS71 = 54mA.

Copyright
 N.V. Philips Gloeilampenfabrieken, Eindhoven
 Imprimé en Hollande

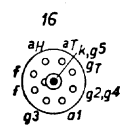
S13, S14	A1 001 95.1*	S61, S62, S63, S64, C61, C62	{ A1 037 12.4*
S17, S18, S19, S20	A1 037 11.0*	S71	{ A1 001 87.4*
S33, S34	A1 001 74.4*	S76	{ 49 981 13.1
S37, S38, S39, S40	A1 037 10.0*	S81, S82	{ A1 081 82.0*
S51, S52, S53, S54, C51, C52	{ A1 037 13.0*		

93953.16.1



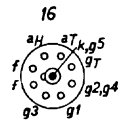
R10044

UCH 21



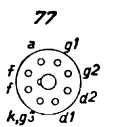
B 2

UCH 21



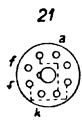
B 3

UBL 21

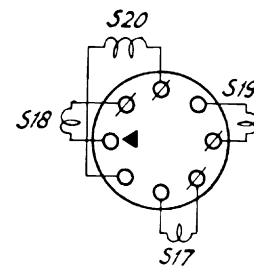


B 5

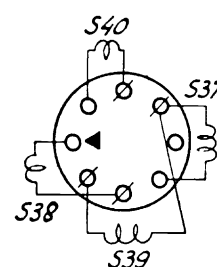
UYIN



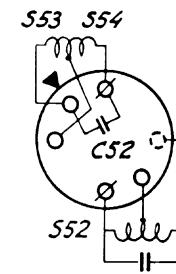
B 6



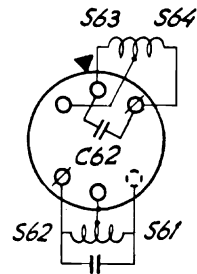
A



B



C



D

R11891