

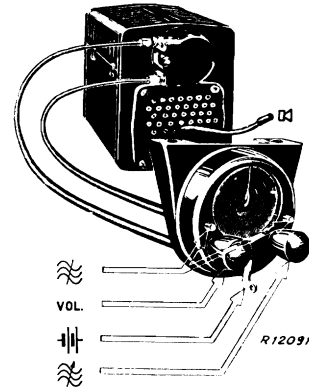
PHILIPS SERVICE

249/250 B

200—550 m
900—2000 m

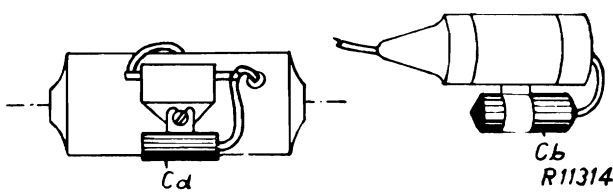
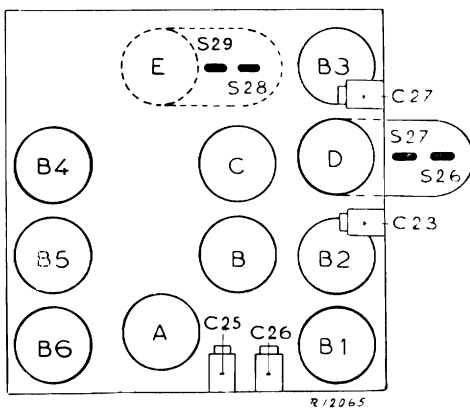
9612 Z = 5Ω
6V—6A (249B)
12V—3,5 A (250B)

128 kc/s



900—2000 m	200—550 m	900—2000 m
VOL max	VOL max	VOL max
128 kc/s-0,1 uF-g4B2	C22, C23, C24+15°	C22, C23, C24+15°
S26-10000 Ω+0,1 uF	1440 kc/s-32pF	395 kc/s-32 pF
S27-S39, S28, S29 max	C25, C26 max	C28 max
S26	C27, C25, C26 max	
S27-S39-10000Ω+0,1 uF		
S26 max		
S27—S39		

15° = 09 992 44.0



	B1	B2	B3	B4	B5	B6	
	EF5	EK2	EF5	EBC3	EL2	EZ2	
Va	260	260	260	130	240	V	
Vg2	75	45	75	—	260	V	
-Vg	2	2,3	2,8	—	15,5	V	
Ia	5,73	0,68	4,11	1,22	30	mA	
Ig2	1,56	2,65	1,15	—	4,7	mA	
Ig3+5	—	1	=	—	—	mA	

R1	0,1 MΩ	48 427 10/100K	C1	1,5 uF	—
R2	82000 Ω	48 427 10/82K	C2	8 uF	28 182 39.0
R3	39000 Ω	48 427 10/39K	C3	8 uF	—
R4	1,5 MΩ	48 426 10/1M5	C4	25 uF	28 182 47.1
R5	27000 Ω	48 426 10/27K	C11	47000 pF	48 750 10/47K
R6	33000 Ω	48 425 10/33K	C12	1,5 uF	—
R7	100 Ω	48 427 10/100E ¹⁾	C13	0,1 uF	48 751 10/100K
R8	100 Ω	48 427 10/100E ¹⁾	C16	2000 pF	48 429 10/2K
R9	220 Ω	48 427 10/220E ¹⁾	C18	22000 pF	48 752 10/22K
R10	220 Ω	48 427 10/220E ¹⁾	C19	22000 pF	48 752 10/22K
R11	68/2	48 427 10/68E ¹⁾	C21	0,1 uF	48 750 10/100K
R12	47000 Ω	48 425 10/47K	C22	11-490 pF	—
R13	330 Ω	48 425 10/330E	C23	11-490 pF	28 212 19.0
R14	470 Ω	48 425 10/470E	C24	11-490 pF	—
R15	0,3 Ω	—	C25	2 1/4-30 pF	28 211 83.1
R16	680 Ω	48 425 10/680E	C26	2 1/4-30 pF	28.211.83.1
R17	2700 Ω	48 425 10/27K7	C27	2 1/4-30 pF	28 211 83.1
R18	0,5 MΩ	28 811 460*	C28	2 1/4-30 pF	28 211 83.1
R19	0,47 MΩ	48 425 10/470K	C29	—	—
R20	0,27 MΩ	48 425 10/270K	C30	—	—
R21	0,27 MΩ	48 425 10/270K	C31	—	—
R22	1,2 MΩ	48 426 10/1M2	C32	—	—
R23	0,1 MΩ	48 425 10/100K	C33	0,1 uF	48 750 10/100K
R24	0,47 MΩ	48 425 10/470K	C34	0,1 uF	48 750 10/100K
R25	1000 Ω/2	48 427 10/1K	C35	754 pF	48 429 02/754E
R26	0,15 MΩ/2	48 427 10/150K	C36	1635 pF	4842901/1K635
R27	4700 Ω	48 425 10/47K7	C37	0,1 uF	48 751 10/100K
R28	47 Ω	48 425 10/47E	C38	10000 pF	48 429 05/10K
R29	15000 pF	—	C39	0,1 uF	48 750 10/100K
R30	100 pF	—	C40	—	—
R31	0,27 MΩ	28 891 41.3	C41	—	—
R32	1,2 MΩ	—	C42	15000 pF	48 750 10/15K
R33	2700 Ω	—	C43	100 pF	48 429 10/100E
R34	4700 Ω	—	C44	22000 pF	48 751 10/22K
			C45	10000 pF	48 757 20/10K
			C46	160 pF	—
			C47	160 pF	48 429 10/160E
			C48	—	—
			C49	—	—
			C50	—	—

S1, S2	28 546 20.1	S26, S27, S39,	}	—
S3	28 587 55.0	C29, C30		
S5	28 587 41.1*	S28, S29, C31,		
S9, S10, S11, S12	28 527 98.2 ¹⁾	C32, C40, C41		
S9, S10, S11, S12	28 530 93.2**)			
S13	28 551 55.2	S30, S31	}	28 587 55.0
S16, S17	28 570 94.2*			
S18, S19, S20,	28 571 38.1*	S34	}	—
S21				
S22, S23, S24,				
S25	28 571 42.3*	S14, S15, S33,	}	—
		S18, C49		

Z 10A	08 140 34.0 ¹⁾	Cd	0,5 uF	7350
Z 6A	08 140 31.0 ²⁾	Cb	2 uF	28 160 92.0
T	7946 ¹⁾			
T	7857 ²⁾			

¹⁾ 249B
²⁾ 250B

249/250 B

