

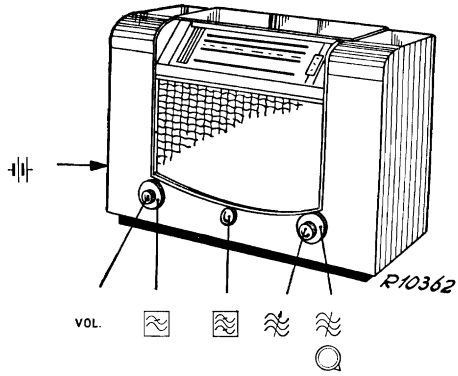
# PHILIPS SERVICE

# 289 BV

13,5—45 m  
45—160 m  
160—570 m  
700—2000 m  
452 kc/s

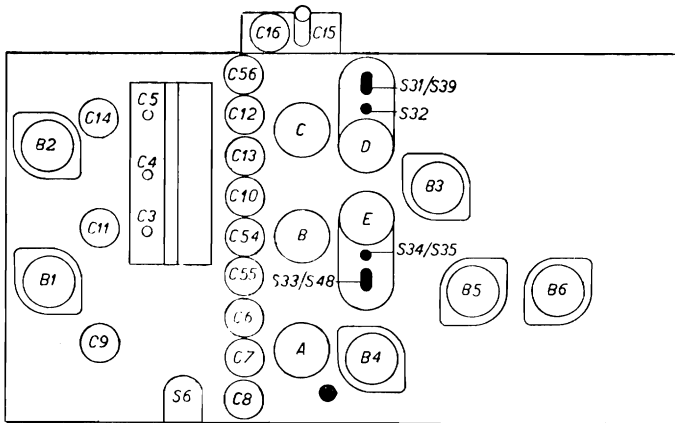
9614 Z = 2,5 Ω

6 V  
2,2 A



<p>160—570 m</p> <p>C3, C4, C5 min.</p> <p>VOL. max.</p> <p>C5</p> <p>452 kc/s-33000 pF-g4B2</p> <p>S34/S35, S33/S48, S32, S31/S39 max.</p> <p>C5</p>	<p>700—2000 m</p> <p>C3, C4, C5 + 15°</p> <p>VOL. max.</p> <p>385 kc/s—Y</p> <p>C14, C11, C9 max.</p> <p>C5</p> <p>25 pF-aB2</p> <p>150 kc/s—Y</p> <p>C3, C4, C5 max.</p> <p>C5</p> <p>C16 max.</p>	<p>45—160 m</p> <p>C3, C4, C5 + 15°</p> <p>VOL. max.</p> <p>6,17 Mc/s—Y</p> <p>C12, C54, C7 max.</p>
<p>160—570 m</p> <p>C3, C4, C5 max.</p> <p>VOL. max.</p> <p>452 kc/s—Y</p> <p>S6 min.</p>	<p>160—750 m</p> <p>C3, C4, C5 + 15°</p> <p>VOL. max.</p> <p>1725 kc/s—Y</p> <p>C13, C55, C8 max.</p> <p>C5</p> <p>25 pF-aB2</p> <p>600 kc/s—Y</p> <p>C3, C4, C5 max.</p> <p>C5</p> <p>C15 max.</p>	<p>13,5—45 m</p> <p>C3, C4, C5 + 15°</p> <p>VOL. max.</p> <p>20,5 Mc/s—Y</p> <p>C56, C10, C6 max.</p>

15° 09 992 44.0



R10873

	B1	B2	B3	B4	B5	B6	
	EF 9	EK 2	EF 9	EBF 2	KC 3	KDD 1	
Va	165	150	170	< 40	165	170	V
Vg2	< 40	125	< 50	< 40	—	—	V
Vg3(5)	—	40	—	—	—	—	V
Ia	2,1	0,59	2,7	0,5	6,4	6,2	mA
Ig2	0,57	2,5	0,76	0,19	—	—	mA
Ig3(5)	—	1,07	—	—	—	—	mA

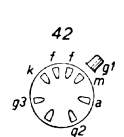
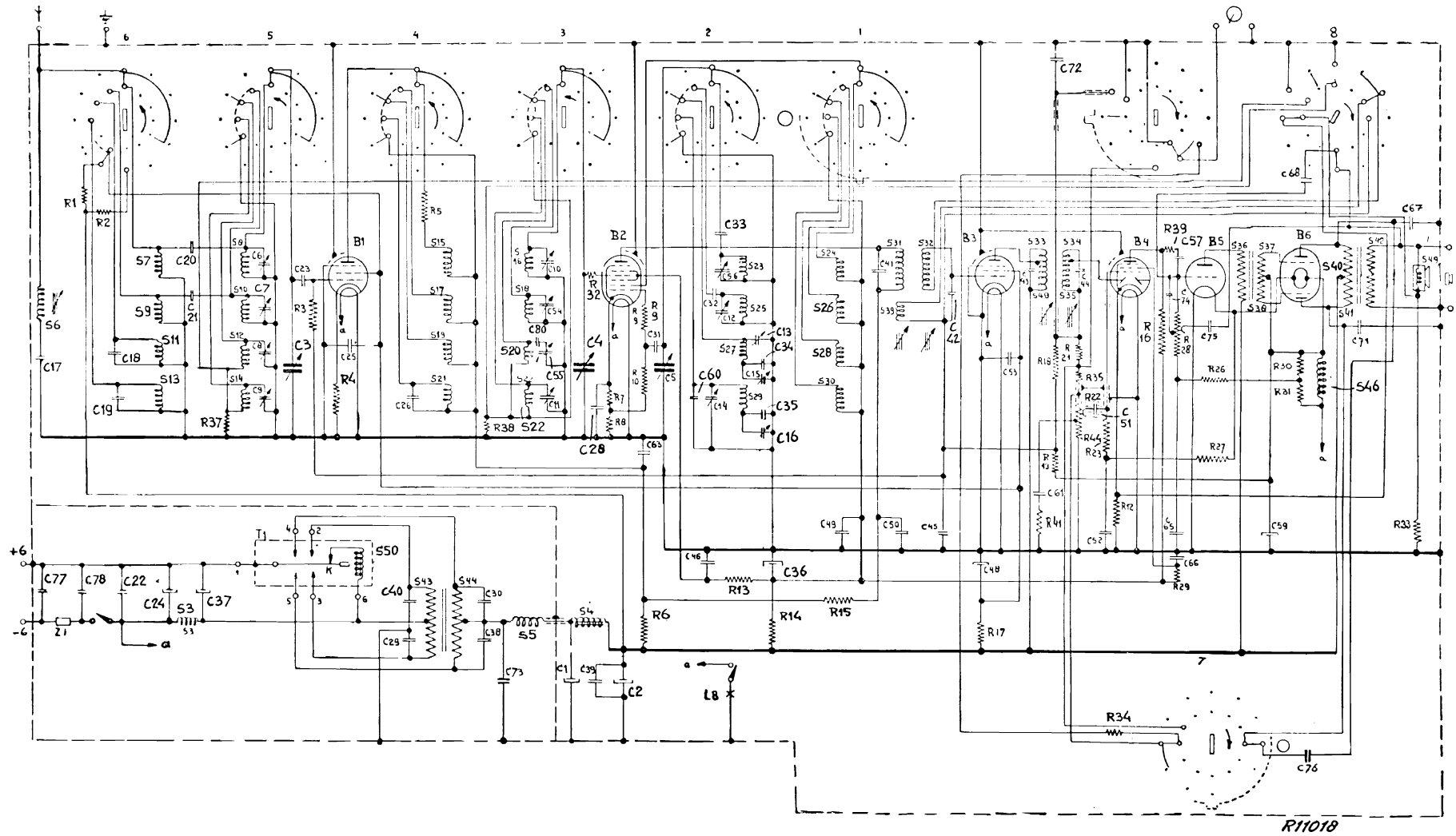
Ve1 = 175 V  
Ve2 = 170 V

Copyright - N.V. Philips'  
Gloeilampenfabrieken, Eindhoven, Holland  
Imprimé in Hollande

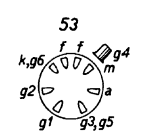
R1	33000 Ω	48 426 10/33K	C1	32 μF	28 182 40.0
R2	0,33 MΩ	48 426 10/330K	C2	32 μF	28 182 40.0
R3	0,82 MΩ	48 425 10/820K	C3	11-490 pF	—
R4	56 Ω	48 426 10/56E	C4	11-490 pF	28 212 72.0
R5	47 Ω	48 425 10/47E	C5	11-490 pF	—
R6	470 Ω	48 426 10/470E	C6	0-30 pF	28 212 36.3
R7	120 Ω	48 426 10/120E	C7	0-30 pF	28 212 36.3
R8	470 Ω	48 426 10/470E	C8	0-30 pF	28 212 36.3
R9	39 Ω	48 426 10/39E	C9	0-30 pF	28 212 45.3
R10	22000 Ω	48 425 10/22K	C10	0-30 pF	28 212 36.3
R12	15 Ω	48 425 10/15E	C11	0-30 pF	28 212 45.3
R13	82000 Ω	48 426 10/82K	C12	0-30 pF	28 212 36.3
R14	10000 Ω	48 427 10/10K	C13	0-30 pF	28 212 36.3
R15	27000 Ω	48 426 10/27K	C14	0-30 pF	28 212 45.3
R16	0,22 MΩ	48 425 10/220K	C15	200 pF	28 212 08.2
R17	0,15 MΩ	48 426 10/150K	C16	0-30 pF	28 212 45.3
R18	2,2 MΩ	48 427 10/2M2	C17	170 pF	48 429 02/170E
R19	2 × 4,7 MΩ	48 427 10/4M7	C18	47 pF	48 406 10/47E
R21	47000 Ω	48 426 10/47K	C19	47 pF	48 406 10/47E
R22	0,28 MΩ	—	C20	2 pF	28 205 88.0
R44	0,07 MΩ	49 470 56.0	C21	2 × 2 pF	28 205 88.0
R23	1,5 MΩ	48 427 10/1M5	C22	0,1 μF	48 751 10/100K
R26	0,82 MΩ	48 425 10/820K	C23	100 pF	48 406 10/100E
R27	0,82 MΩ	48 425 10/820K	C24	50 μF	49 020 01.0
R28	2 × 0,3 MΩ	49 472 53.0	C25	47000 pF	48 751 10/47K
R29	0,68 MΩ	48 425 10/680K	C26	220 pF	48 406 10/220E
R30	10000 Ω	48 426 10/10K	C28	47000 pF	48 751 10/47K
R31	33000 Ω	48 426 10/33K	C29	5000 pF	28 198 96.0
R32	100 Ω	48 425 10/100E	C30	10000 pF	48 752 10/10K
R33	0,075 Ω	28 804 35.1	C31	100 pF	48 406 10/100E
R34	82000 Ω	48 426 10/82K	C32	1750 pF	48 429 02/1K75
R35	0,33 MΩ	48 426 10/330K	C33	5100 pF	48 429 02/5K1
R37	15 Ω	48 425 10/15E	C34	400 pF	48 429 02/400E
R38	15 Ω	48 425 10/15E	C35	150 pF	48 429 02/150E
R39	47000 Ω	48 426 10/47K	C36	32 μF	28 182 40.0
R41	47000 Ω	48 426 10/47K	C37	50 μF	49 020 01.0
			C38	10000 pF	48 752 10/10K
			C39	0,1 μF	48 751 10/100K
			C40	5000 pF	28 198 96.0
			C41	94 pF	—
			C42	113 pF	—
			C43	113 pF	—
			C44	113 pF	—
			C45	47000 pF	48 751 10/47K
			C46	47000 pF	48 751 10/47K
			C48	32 μF	28 182 40.0
			C49	47000 pF	48 751 10/47K
			C50	47000 pF	48 751 10/47K
			C51	10000 pF	48 751 10/10K
			C52	0,32 μF	28 199 14.0
			C53	47000 pF	48 751 10/47K
			C54	0-30 pF	28 212 36.3
			C55	0-30 pF	28 212 36.3
			C56	0-30 pF	28 212 36.3
			C57	22000 pF	48 751 10/22K
			C59	250 μF	28 185 65.1
			C60	39 pF	48 406 10/39E
			C61	12000 pF	48 751 10/12K
			C63	47000 pF	48 751 10/47K
			C65	0,1 μF	48 751 10/100K
			C66	0,32 μF	28 199 14.0
			C67	6400 pF	28 201 72.0
			C68	82 pF	48 406 10/82E
			C71	6400 pF	28 201 72.0
			C72	100 pF	48 406 10/100E
			C73	47000 pF	48 751 10/47K
			C74	500 pF	48 429 10/500E
			C75	1000 pF	49 128 02.0
			C76	3300 pF	48 751 10/3K3
			C77	0,1 μF	48 751 10/100K
			C78	12000 pF	48 751 10/12K
			C80	6,8 pF	48 406 99/6E8

S3	28 588 73.0	S31, S32, S39, C41	28 573 59.1
S4	28 546 89.0	C42	—
S5	28 588 34.2	S33, S34, S35, S48	28 573 51.0
S6	28 587 95.0	C43, C44	—
S7, S8, S9, S10	28 573 10.4	S36, S37, S38	A1 103 11.0
S11, S12, S13, S14	—	S39, S40, S41, S42	28 536 93.0
S15, S16, S17, S18	—	S43, S44	28 537 26.3
S19, S20, S21, S22	28 573 12.4	S46	28 546 70.0
S23, S24, S25, S26	—	S49	28 220 43.1
S27, S28, S29, S30	28 573 11.3	T1	28 890 93.0

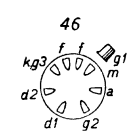
93.950.46



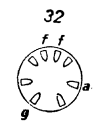
B1, 3



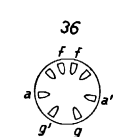
B2



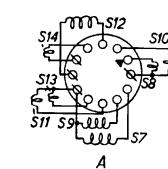
B4



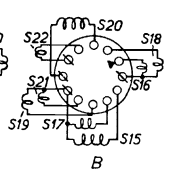
B3



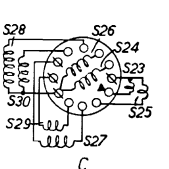
B6



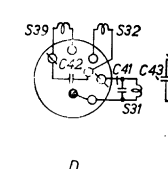
A



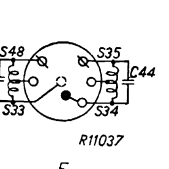
B



C



D



R11037  
E