

PHILIPS SERVICE

518 HU-AU

199—552 m

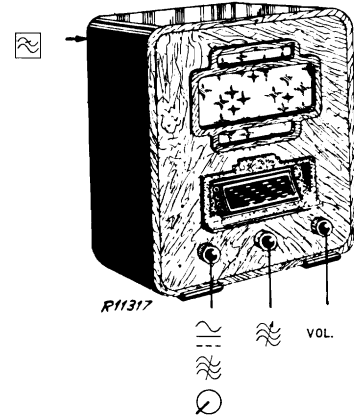
 760—1900 m

 475 kc/s

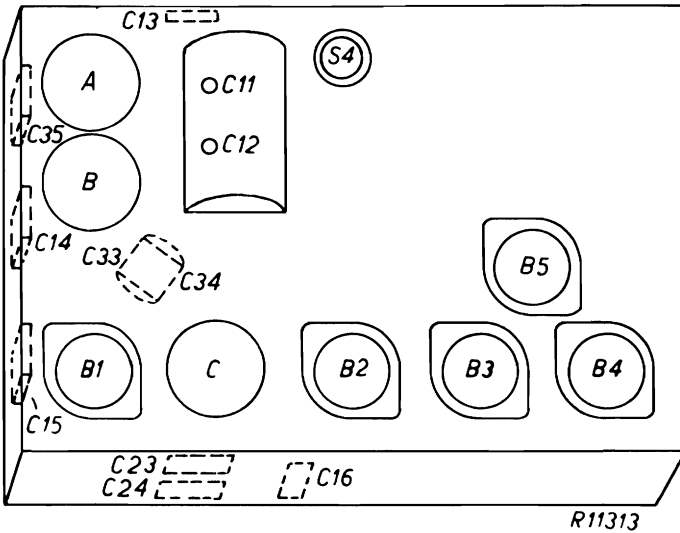
4281 $Z = 9 \Omega$

 HU 110—250 V AU 125 V

 48 W



760—1900 m	199—552 m	760—1900 m
VOL. max. $g4B1-0,1 M\Omega$ 475 kc/s-33000 pF-g4B1 C23, C24 max.	R9 25 pF-aB1 1333 kc/s—Y C11, C12 225 m C35 max. R9 600 kc/s — Y C11, C12 500 m max. C34 max. 1333 kc/s—Y C11, C12 225 m C14 max.	VOL. max. 333 kc/s — Y C11, C12 900 m C15 max. 157,9 kc/s—Y C11, C12 1900 m C33 max.
VOL. max. C11, C12 max. 475 kc/s — Y C13 min.		



R1*	320 Ω	28 799 44.0*	C1	32 μF	28 182 40.0
R2	47000 $\Omega/2$	48 427 10/47K	C2	32 μF	28 182 40.0
R3	1 M Ω	48 426 10/1M	C3*	25 μF	28 180 02.0
R4	22000 Ω	48 426 10/22K	C4	0,1 μF	48 752 10/100K
R6	220 Ω	48 426 10/220E	C5*	0,1 μF	28 199 90.0
R7	330 Ω	48 426 10/330E	C6	0,47 μF	48 751 10/470K
R8	390 Ω	48 426 10/330E	C7	0,47 μF	48 751 10/470K
R9	20000 Ω	28 810 88.0	C8	0,47 μF	48 751 10/470K
R10	47000 Ω	48 426 10/47K	C10	0,1 μF	48 751 10/100K
R11	2,2 M Ω	48 427 10/2M2	C11	11-450 pF	—
R12	0,33 M Ω	48 426 10/330K	C12	—	—
R13	0,68 M Ω	48 426 10/680K	C13	200 pF	28 212 08.2
R14	100 Ω	48 426 10/100E	C14	125 pF	28 212 07.2
R15	50000 Ω	28 808 29.0	C15	125 pF	28 212 07.2
R16	0,22 M Ω	48 426 10/220K	C16	50-250 pF	—
R17*	1000 Ω	28 495 54.0	C17	4700 pF	48 752 10/4K7
R18	0,39 M Ω	48 426 10/390K	C18	1000 pF	48 752 20/1K
R19	4700 Ω	48 426 10/4K7	C19	100 pF	48 429 10/100E
R20	47 Ω	48 426 10/47E	C20	10 pF	48 429 99/10E
R21	0,22 M Ω	48 426 10/220K	C21	160 pF	48 429 02/160E
R22	2700 Ω	48 426 10/2K7	C22	320 pF	48 429 10/320E
R23	100 Ω	48 426 10/100E	C23	125 pF	28 212 07.2
R24	1500 Ω	48 426 10/1K5	C24	125 pF	28 212 07.2
			C25	200 pF	28 212 08.2
			C26	47000 pF	48 751 10/47K
			C27	80 pF	48 429 10/80E
			C28	2200 pF	48 751 10/2K2
			C29	125 pF	48 429 10/125E
			C30	27000 pF	48 751 10/27K
			C31	47000 pF	48 752 10/47K
			C32	4000 pF	28 199 71.0
			C33	40-145 pF	28 210 55.0
			C34	—	—
			C35	125 pF	28 212 07.2
			C36	68 pF	48 406 10/68E
			C37	68 pF	48 406 10/68E

220 V						
	B1	B2	B3	B4	B5	
	CK 1	CF 1	CL 4	CY 1	C 1	
Va	189	68	160			V
Vg2	66	24	160			V
Vg3(5)	66	—	—			V
-Vg	1,5	0,4	13			V
Ia	1,8	0,5	40			mA
Ig2	1,5	0,13	5,2			mA
Ig3(5)	3,3	—	—			mA

S1, S2	28 562 90.0*	S16	28 561 27.1*
S3	28 550 76.1*	S17, S18	28 524 94.0
S4	—	S19	—
S5, S6, S7, S8	28 564 62.0*	S24, S25, S26	28 564 90.0*
S9, S10, S11, S12	28 564 61.2*	S20, S21	28 524 81.0*(*)
S13, S14, S15	28 562 92.2		

VC1 = 206 V

 VC2 = 190 V

Copyright

 N.V. Philips Gloeilampenfabrieken,

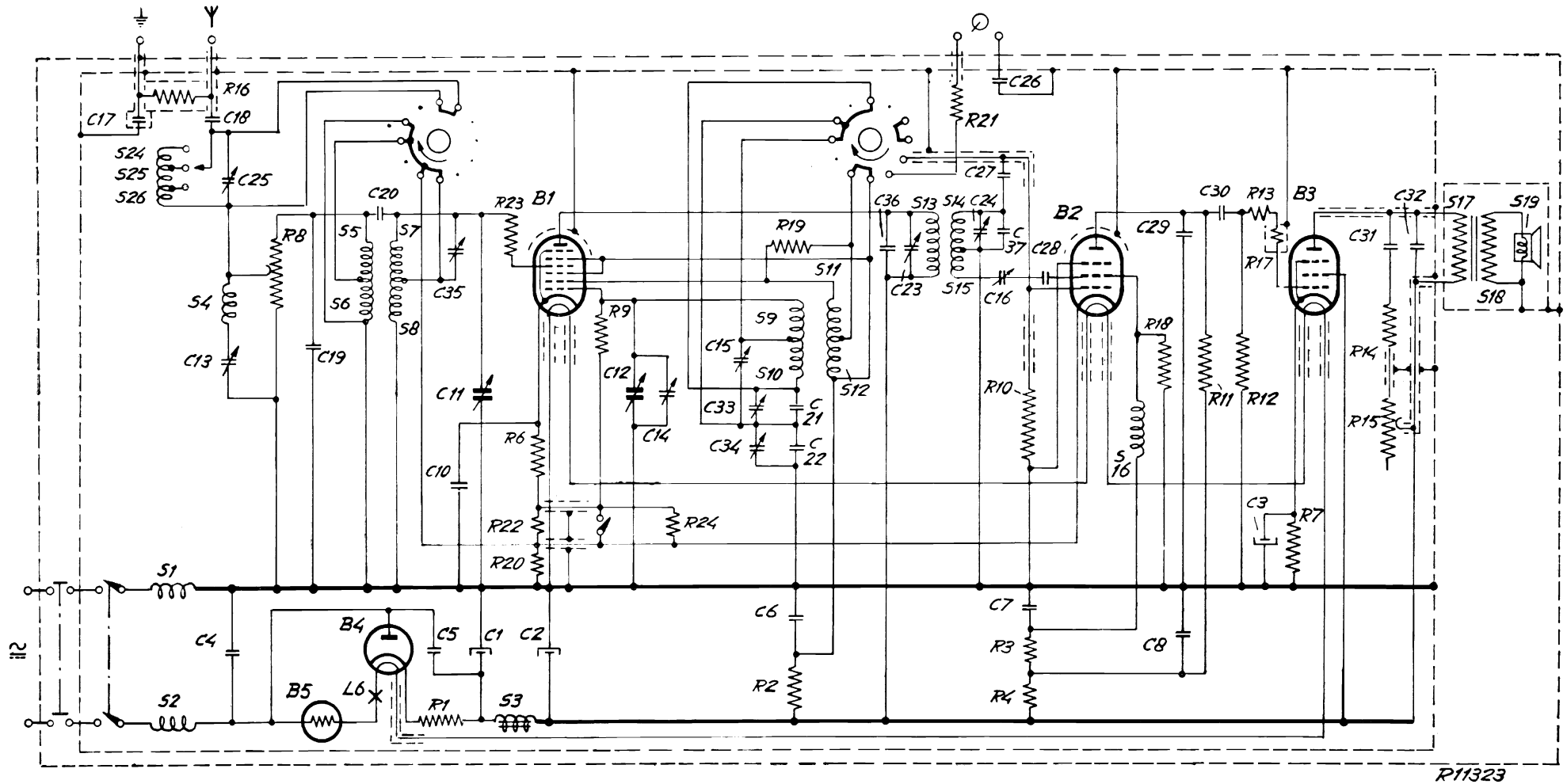
 Eindhoven

 Imprimé en Hollande

1) 518 AU

518HU-AU

S:	24,25,26,12, 4,	5,6, 7,8	3	9,10, 11,12	13, 14,15	16	17, 18,19				
C:	17	13,18,4,25	19	20, 5,10,35,11,1	2	12, 14	15,33,34, 6,21,22, 36,23, 24,27,16,7,37,26,28	29,9, 30, 3	31	32	
R:	16	8,	1	23,22,20,6,	9,	24	2,19	21, 10,3,4,	18,	11, 13,17,12,7,	14, 15



R11323

