

PHILIPS SERVICE

522 U

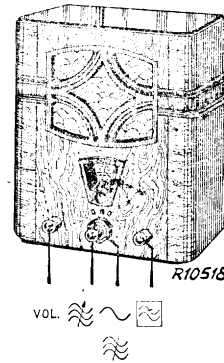
200—550 m
800—1900 m

4283 Z = 10 Ω

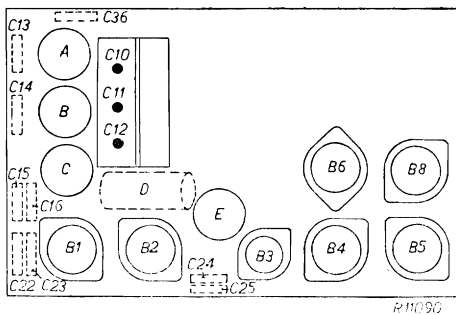
110—119 V, 120—130 V,
200—224 V, 225—250 V.

U-1 104 kc/s
U-4 115 kc/s

63 W



800—1900 m I	800—1900 m II	800—1900 m III
VOL. max. R8 C10, C11, C12 min. 104 kc/s—33000 pF-g4B1 115 kc/s (U-4) S12—22000 Ω S15—22000 Ω C23, C24 max. S12, S15 S13—22000 Ω S14—22000 Ω C22, C25 max. S13, S14 R8	VOL. max. R8 C10, C11, C12 max. 104 kc/s — Y 115 kc/s (U-4) C36 min R8 200—550 m III VOL. max. S12—22000 Ω C15 min. C10, C11, C12 min. 1333 kc/s—g4B1 C10, C11, C12 max (1e) 1333 kc/s — Y C13, C14 max. S12	R8 25 pF—aB1 333 kc/s — Y C10, C11, C12 900 m R8 VOL. max. C16 max. 200—550 m V VOL. max. 857 kc/s — Y C9, C13, C11 max. 350 m

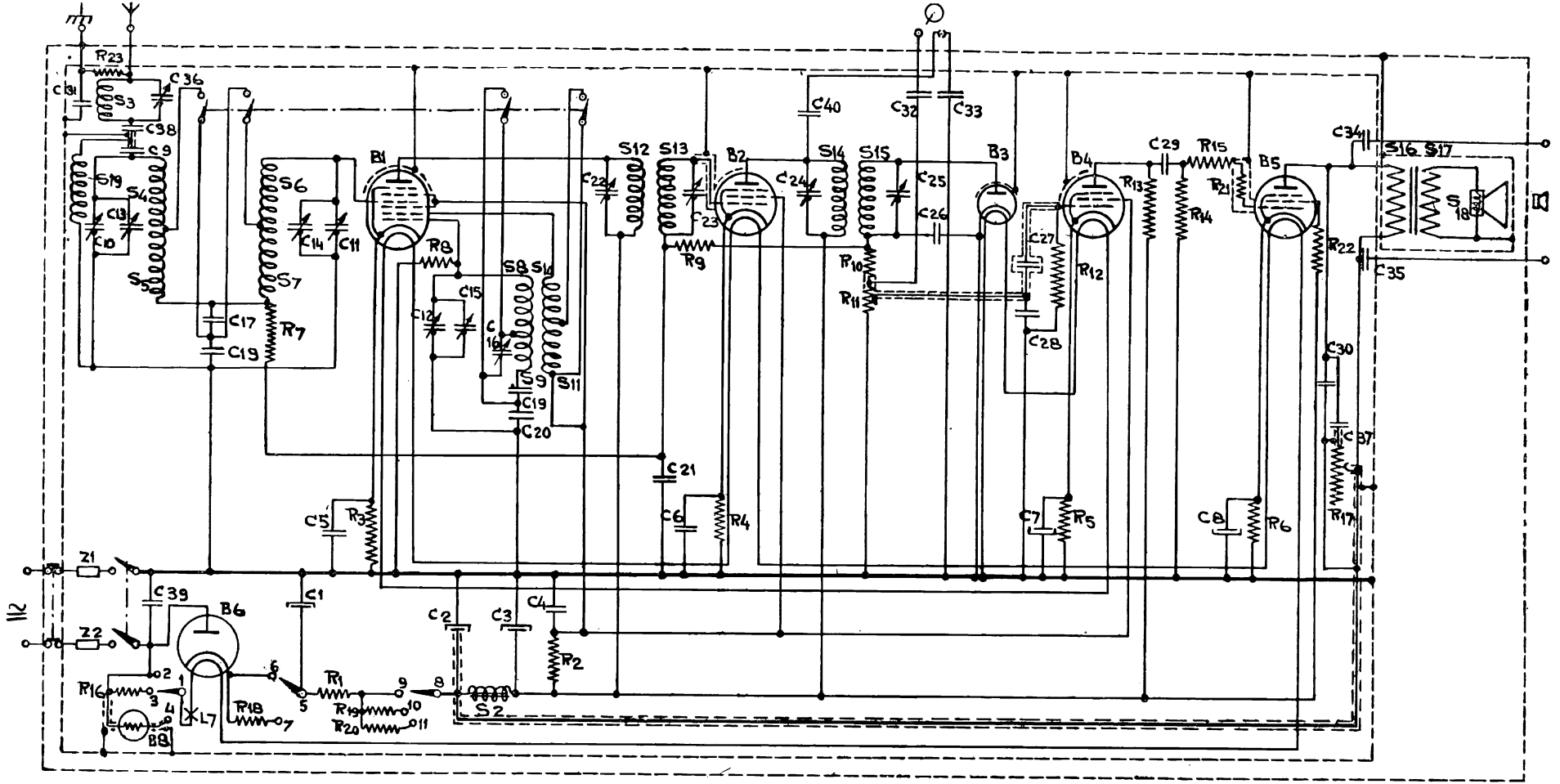


R1	150 Ω	48 427 10/150E	C1	32 μF	28 182 40.0
R2	10000 Ω	48 427 10/10K	C2	32 μF	28 182 40.0
R3	270 Ω	48 426 10/270E	C3	32 μF	28 182 40.0
R4	680 Ω	48 426 10/680E	C4	0.47 μF	48 751 10/470K
R5	3900 Ω	48 426 10/39K	C5	47000 pF	48 751 10/47K
R6	470 2 Ω	48 427 10/470E	C6	0.1 μF	48 751 10/100K
R7	16500 Ω	48 426 10/10K	C7	25 pF	28 180 02.0
R8	47000 Ω	48 426 10/47K	C8	25 pF	28 180 02.0
R9	1 MΩ	48 426 10/1M	C9	25 pF	48 429 10/25E
R10	47000 Ω	48 426 10/47K	C10	0.430 pF	
R11	0.5 MΩ	28 393 61.0	C11	0.430 pF	28 210 14.0
R12	1 MΩ	48 426 10/1M	C12	0.430 pF	
R13	0.22 MΩ	48 426 10/220K	C13	125 pF	28 212 07.2
R14	0.47 MΩ	48 426 10/470K	C14	125 pF	28 212 07.2
R15	0.1 MΩ	48 426 10/100K	C15	125 pF	28 212 07.2
R16	69 Ω	28 796 84.0	C16	125 pF	28 212 07.2
R17	50000 Ω	28 608 29.0	C17	27000 pF	48 751 10/27K
R18	250 Ω	28 796 84.0	C18	27000 pF	48 751 10/27K
R19	1000 Ω	28 796 35.0	C19 ¹⁾	930 pF	48 429 02/930E
R20	1250 Ω	28 796 35.0	C19 ²⁾	1090 pF	48 429 02/1K09
R21	1090 Ω	28 495 54.0	C20 ¹⁾	1810 pF	48 429 02/1K81
R22	100 Ω	48 426 10/100E	C20 ²⁾	2135 pF	48 429 02/2K185
R23	0.22 MΩ	48 426 10/220K	C21	0.1 μF	48 751 10/100K
			C22	40-145 pF	
			C23	40-145 pF	28 210 55.0
			C24	40-145 pF	
			C25	40-145 pF	28 210 55.0
			C26	100 pF	48 429 10/100E
			C27	10000 pF	48 751 10/10K
			C28	200 pF	48 429 10/200E
			C29	10000 pF	48 751 10/10K
			C30	2200 pF	48 751 10/2K2
			C31	5000 pF	28 198 96.0
			C32	0.1 μF	48 751 10/100K
			C33	47000 pF	48 751 10/47K
			C34	0.22 μF	48 751 10/220K
			C35	0.22 μF	48 751 10/220K
			C36	200 pF	28 212 08.2
			C37	0.1 μF	48 751 10/100K
			C38	1000 pF	49 128 02.0
			C39	0.1 μF	48 751 10/100K
			C40	10000 pF	48 751 10/10K

	B1	B2	B3	B4	B5	B6	B8	
	CK1	CF 2	CB 1	CF 7	CL 2	CY 1	C 1	
Va	115	115		32,4	105			V
Vg2	60,5	60,5		60	104			V
Vg3(5)	60,5	—		—	—			V
-Vg	1,52	1,46		2,24	13			V
Ia	0,58	1,65		0,44	45,5			mA
Ig2	1,52	0,6		0,19	7,4			mA
Ig3(5)	3,27	—		—	—			mA

S2	28 545 19.1	S14, S15	28 561 02.2
S3, S19	28 561 27.1	S16, S17	28 519 20.1
S4, S5	28 561 02.2	S18	25 152 42.2
S6, S7	28 561 03.2		
S8, S9, S10, S11	28 561 04.4		
S12, S13	28 561 22.1		

S: 19, 3, 4, 5,	6, 7,	2, 8, 9, 10, 11,	12, 13,	14, 15,	16, 17, 18
C: 31, 10, 13, 38, 9, 36, 39, 17, 19, 14, 1, 11, 5,	12, 15, 2, 16, 19, 20, 34, 22, 21, 6, 23,	40, 24,	25, 32, 26, 39,	27, 28, 7,	29, 8,
R: 23, 16,	18, 7,	1, 3, 19, 20, 8,	2,	9, 4,	10, 11,
					12, 5,
					13, 14, 15, 21, 6,
					22, 17,



R11103

