

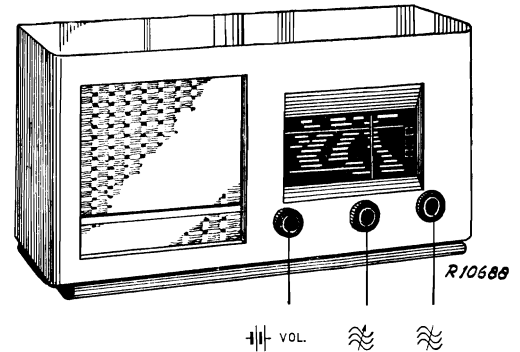
16,7—51 m

9686, Z = 5 Ω  
9660, Z = 5 Ω

186—585 m

Vf 2V—0,175 A  
Va 120 V—9,9 mA

473 kc/s

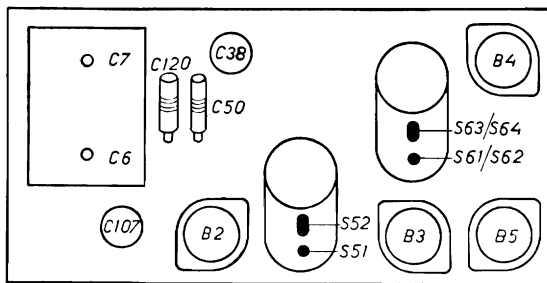


R10688

708—2000 m	186—585 m	708—2000 m
C6, C7 min.	VOL. max.	VOL. min.
VOL. max.	C6, C7 + 15°	C7
473 kc/s-33000 pF-g4B2	1600 kc/s—Y	25 pF—aB2
S51—82 pF	C38, C107, C38, C107 max.	160 kc/s
S52 max.		160 kc/s — Y
S51		C6, C7 160 kc/s
S52—82 pF		C7
S51 max.		VOL. max.
S52		C50 max.
S61/S62—82 pF		
S63, S64 max.	186—585 m	
S61/S62	860 kc/s — Y	
S63/S64—82 pF	C6, C7 860 kc/s	
S61, S62 max.	349 m	
S63, S64		

15° = 09 992 44.0

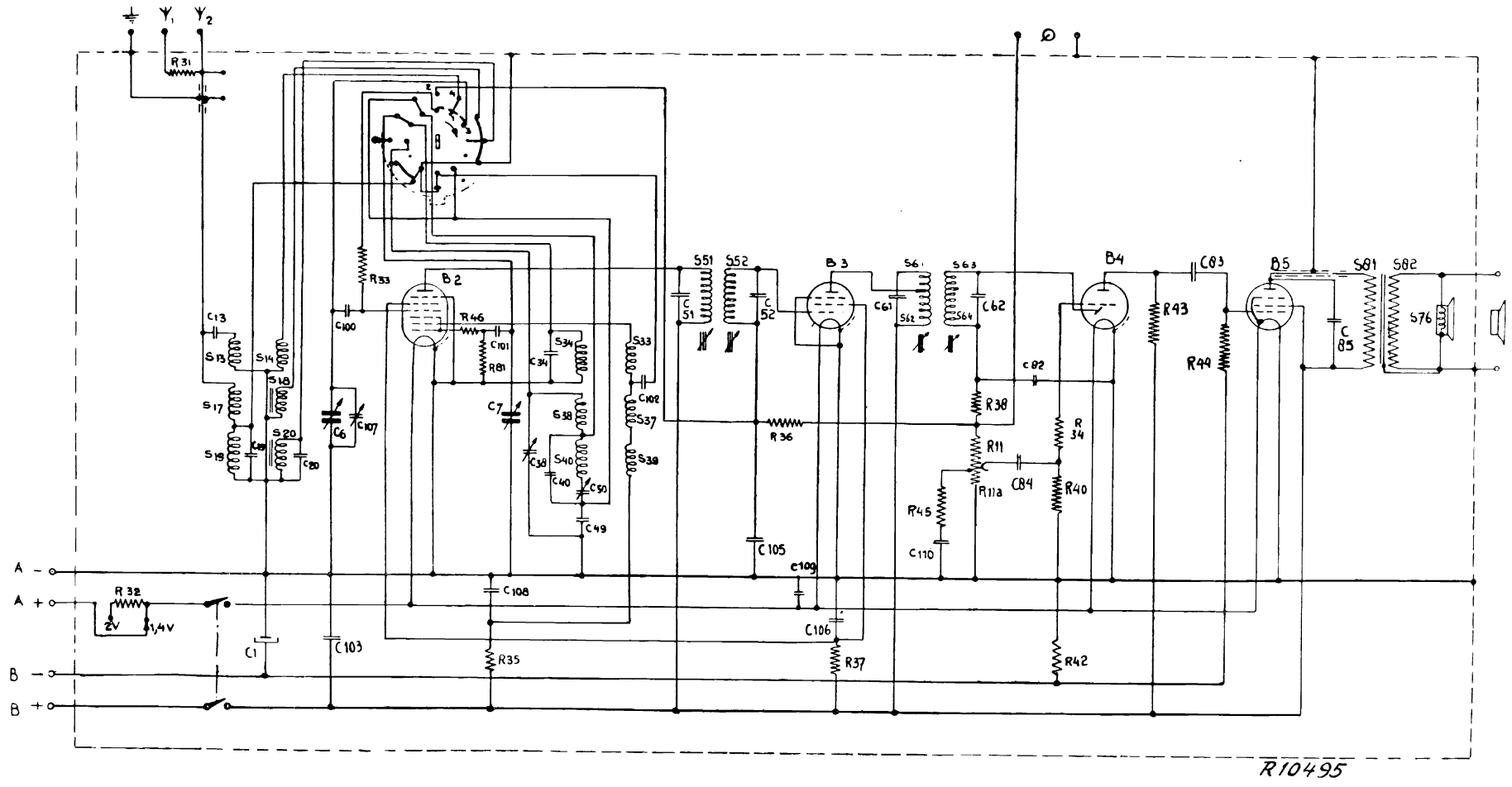
R11	0,275 MΩ	49 500 09.0	C1	50 μF	49 020 01.0
R11a	0,075 MΩ		C6	11-490 pF	28 212 52.0
R31	0,27 MΩ	48 425 10/270K	C7	11-490 pF	
R32	4 Ω	28 803 64.1	C13	68 pF	48 406 10/68E
R33	0,82 MΩ	48 425 10/820K	C19	56 pF	48 406 10/56E
R34	0,33 MΩ	48 425 10/330K	C20	12 pF	48 406 10/12E
R35	22000 Ω	48 425 10/22K	C34	8,2 pF	48 406 99/8E2
R36	1,5 MΩ	48 426 10/1M5	C38	20 pF	49 005 05.2
R37	0,1 MΩ	48 425 10/100K	C40	30 pF	48 406 05/30E
R38	56000 Ω	48 425 10/56K	C49	435,5 pF	48 429 01/435E5
R40	1,5 MΩ	48 426 10/1M5	C50	200 pF	28 212 08.2
R42	390 Ω	48 425 10/390E	C82	68 pF	48 406 20/68E
R43	0,47 MΩ	48 425 10/470K	C83	10000 pF	48 751 20/10K
R44	1 MΩ	48 426 10/1M	C84	10000 pF	48 750 20/10K
R45	15000 Ω	48 425 10/15K	C85	1000 pF	48 752 20/1K
R81	47000 Ω	48 425 10/47K	C100	100 pF	48 406 10/100E
R46	100 Ω	48 425 10/100E	C101	150 pF	48 406 10/150E
			C102	470 pF	48 406 10/470E
			C103	0,47 μF	48 751 10/470K
			C105	47000 pF	48 750 20/47K
			C106	47000 pF	48 751 20/47K
			C107	20 pF	49 005 05.2
			C108	0,1 μF	48 751 20/100K
			C109	0,1 μF	48 750 20/100K
			C110	82000 pF	48 750 10/82K



R10445A

	B2	B3	B4	B5	
	DK 21	DF 21	DAC 21	DL 21	
Va	115	115	32	114	V
Vg2	—	60	—	115	V
Vg5	60	—	0,1	—	V
Ia	0,56	0,8	—	4,8	mA
Ig2	2,5	0,17	—	0,83	mA
Ig5	0,11	—	—	—	mA

S13, S14	A1 001 11.0	S51, C51, S52, C52	A1 035 67.3
S17, S18, S19, S20	A1 001 13.0	S61, C61, S62	A1 036 74.0
S33, S34	A1 001 12.0	C62, S63, S64	A1081 54.1
S37, S38	A1 001 14.0	S81, S82	
S39, S40	A1 001 15.0		



R10495

