

PHILIPS-SERVICE

650 A

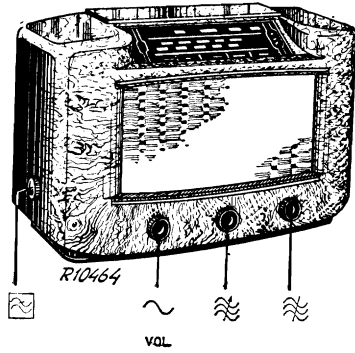
16,7-51 m
198-585 m
708-2000 m

9636 Z = 5 Ω

110 V, 125 V, 145 V
200 V, 220 V, 245 V

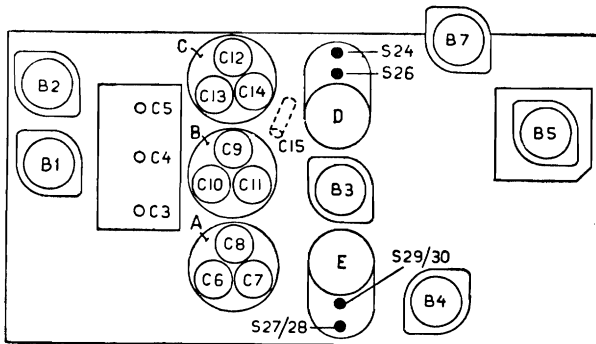
473 kc/s
A-15 470 kc/s
A-32 452 kc/s

55 W



16,7-51 m	198-585 m	198-585 m	16,7-51 m
VOL. max. C3, C4, C5 200 m	VOL. max. C3, C4, C5 + 15°	VOL. max. C3, C4, C5 + 15°	VOL. max. C3, C4, C5 + 15°
C28 473 kc/s-33000 pF-g4B2 470 kc/s (A-15) 452 kc/s (A-32)	1442 kc/s - Y C13, C10, C7 max. : 25 pF-aB2 C5 550 kc/s - Y C3, C4, C5 550 kc/s	17 Mc/s - Y C12, C9, C6 max.	17 Mc/s - Y C12, C9, C6 max.
S27/S28-82 pF S29/S30 max. S27/S28 S30-82 pF S27/S28 max. S30 S24-82 pF S26 max. S24 S26-82 pF S24 max. S26	C5 C15 max. 708-2000 m VOL. max. C3, C4, C5 + 15° 405 kc/s - Y C14, C11, C8 max. : 25 pF-aB2 C5 160 kc/s - Y C3, C4, C5 1875 m C5 C16 max.	198-585 m V VOL. max. 811 kc/s - Y C3, C4, C5 370 m 370 m	198-585 m V VOL. max. 811 kc/s - Y C3, C4, C5 370 m 370 m

15° 09 992 44.0



R10463A

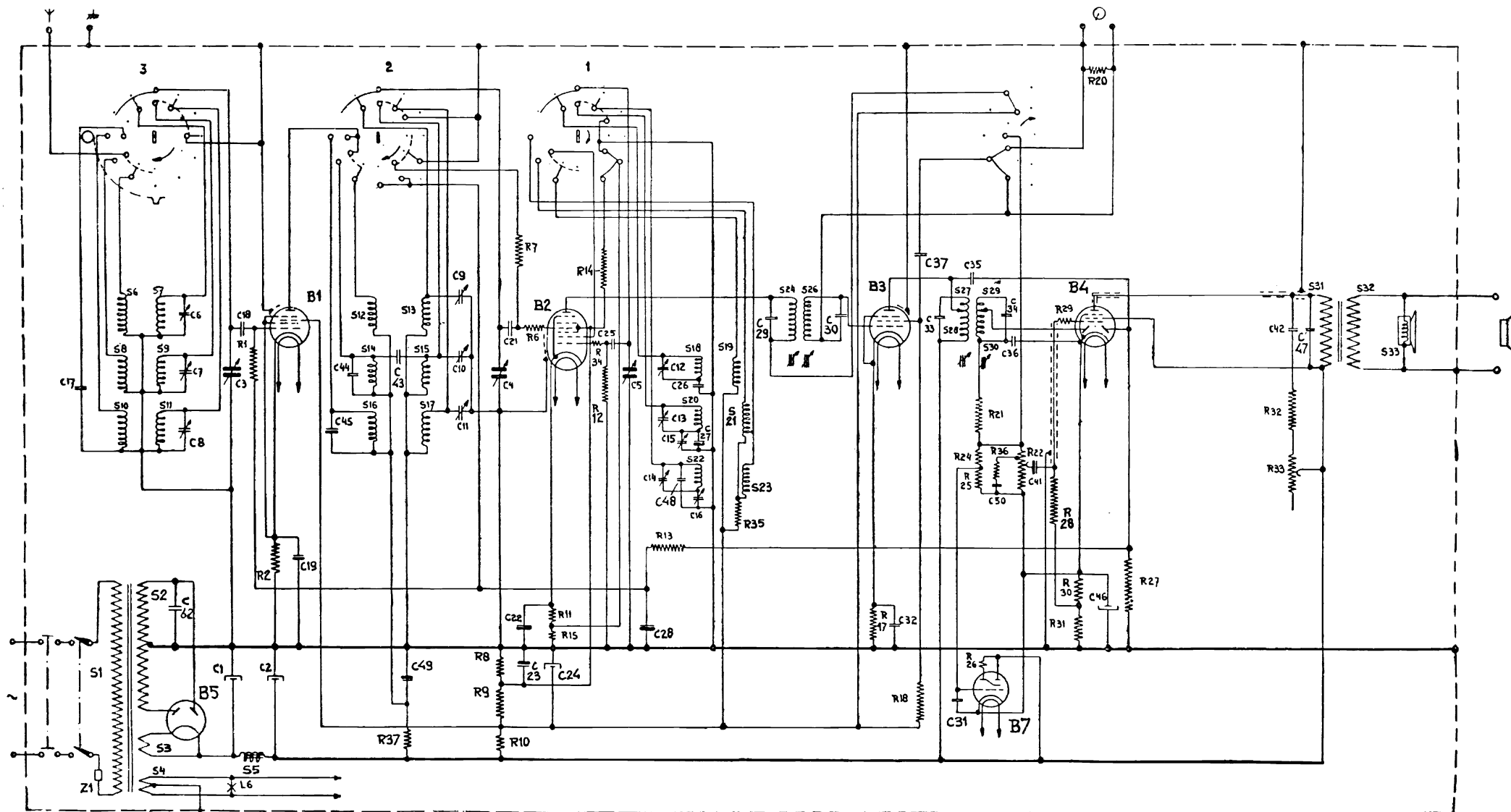
	B1	B2	B3	B4	B5	B7	
	EF 8	EK 2	EF 9	EBL 1	AZ 1	EM 1	
Va	265	190	260	235		260	V
Vg2	—	180	90	260		—	V
Vg3(5)	190	90	—	—		—	V
Vk	0,8	4,4	1,8	14,5		—	V
Ia	4,3	2,2	6,4	34		0,1	mA
Ig2	—	3,5	2	5,5		0,3	mA
Ig3(5)	0,1	1,3	—	—		—	mA

Copyright - N.V. Philips'
Gloeilampenfabrieken Eindhoven, Holland
Imprimé en Hollande

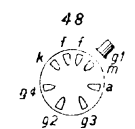
VC1 = 290 V
VC2 = 275 V

R1	0,82 MΩ	48 425 10/820K	C1	28 μF	28 182 54.0
R2	390 Ω	48 426 10/390E	C2	32 μF	28 182 40.0
R6	33 Ω	48 425 10/33E	C3	11-490 pF	
R7	0,82 MΩ	48 425 10/820K	C4	11-490 pF	28 212 30.0
R8	47000 Ω	48 426 10/47K	C5	11-490 pF	
R9	33000 Ω	48 427 10/33K	C6	3-30 pF	—
R10	8000 Ω	48 468 10/8K	C7	3-30 pF	—
R11	470 Ω	48 426 10/470E	C8	3-30 pF	—
R12	47000 Ω	48 426 10/47K	C9	3-30 pF	—
R13	1,2 MΩ	48 426 10/1M2	C10	3-30 pF	—
R14	22000 Ω	48 426 10/22K	C11	3-30 pF	—
R15	150 Ω	48 426 10/150E	C12	3-30 pF	—
R17	330 Ω	48 426 10/330E	C13	3-30 pF	—
R18	47000 Ω	48 426 10/47K	C14	3-30 pF	—
R20	0,47 MΩ	48 426 10/470K	C15	200 pF	28 212 08.2
R21	47000 Ω	48 426 10/47K	C16	200 pF	28 212 08.2
R22	0,35 MΩ	49 500 09.0	C17	82 pF	48 406 10/82E
R24	4,7 MΩ	48 427 10/4M7	C18	100 pF	48 406 10/100E
R25	0,68 MΩ	48 426 10/680K	C19	0,1 μF	48 751 10/100K
R26	2,2 MΩ	48 427 10/2M2	C21	100 pF	48 406 10/100E
R27	0,68 MΩ	48 425 10/680K	C22	0,1 μF	48 751 10/100K
R28	1 MΩ	48 426 10/1M	C23	0,1 μF	48 751 10/100K
R29	1000 Ω	48 425 10/1K	C24	32 pF	28 182 40.0
R30	150 Ω	48 426 10/150E	C25	47 pF	48 406 10/47E
R31	220 Ω	49 427 10/220E	C26	4500 pF	48 429 02/4K5
R32	100 Ω	48 425 10/100E	C27	400 pF	48 429 02/400E
R33	50000 Ω	49 470 01.1	C28	0,1 μF	48 751 10/100K
R34	47 Ω	48 425 10/47E	C29	91 pF	—
R35	2200 Ω	48 426 10/2K2	C30	97 pF	—
R36	47000 Ω	48 426 10/47K	C31	47000 pF	48 751 10/47K
R37	2200 Ω	48 426 10/2K2	C32	47000 pF	48 751 10/47K
			C33	103 pF	—
			C34	103 pF	—
			C35	8,2 pF	48 406 99/8E2
			C36	47 pF	48 406 10/47E
			C37	47000 pF	48 751 10/47K
			C41	22000 pF	48 751 10/22K
			C42	47000 pF	48 757 20/47K
			C43	2 pF	28 205 88.0
			C44	68 pF	48 406 10/68E
			C45	250 pF	48 429 10/250E
			C46	25 pF	28 182 24.1
			C47	2200 pF	48 751 10/2K2
			C48	39 pF	48 406 10/39E
			C49	47000 pF	48 751 10/47K
			C50	47000 pF	48 751 10/47K
			C62	20000 pF	28 201 65.0

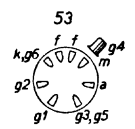
S1, S2, S3, S4	28 538 39.0	S18, S19, S20, S21	28 573 23.2
S5	28 546 08.1	S22, S23, C12, C13	
S6, S7, S8, S9	28 573 19.2	C14	28 573 66.0
S10, S11, C6, C7		S24, S26, C29, C30	
C8	28 573 01.1	S27, S28, S29, S30	28 573 67.0
S12, S13, S14, S15		C33, C34	
S16, S17, C9, C10, C11		S31, S32	28 536 26.0
		S33	28 220 51.1



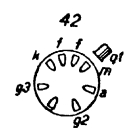
R11020



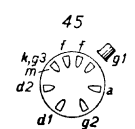
B1



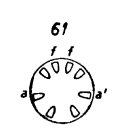
B2



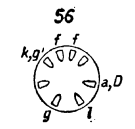
B3



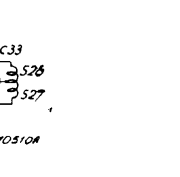
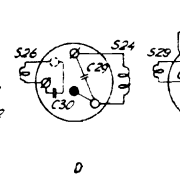
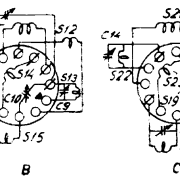
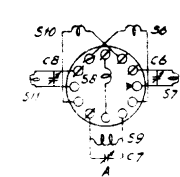
B4



B5



B7



R10510A