

PHILIPS-SERVICE

695 A-20-29

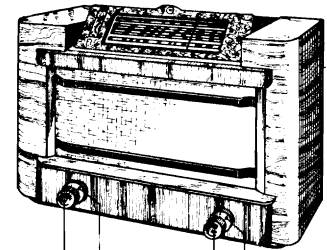
16,5—51 m
198—585 m
725—2000 m

9602 Z = 7 Ω

110 V, 125 V, 145 V,
200 V, 220 V, 245 V.

55 W.

128 kc/s

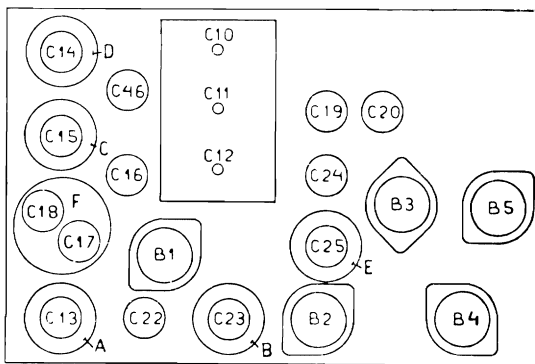


R10405



| 725—2000 m I | 198—585 m III | 725—2000 m III |
|------------------------|----------------------------------|----------------------------------|
| C10, C11, C12 min. | VOL. max. C10, C11, C12 + 15° | VOL. max. C10, C11, C12 + 15° |
| 128 kc/s-33000 pF-g4B1 | 1442 kc/s — Y | 395 kc/s — Y |
| C24—27000 Ω | C17, C14, C15 max. | C18 max. |
| VOL. max. | 550 kc/s — Y | C22-2200 Ω-0,1 μF |
| C25 max. | -25 pF—aB1 | -25 pF—aB1 |
| C24 | C22-2200 Ω-0,1 μF | 160 kc/s — Y |
| C23-100000 Ω-0,1 μF | C10, C11, C12 max. | C10, C11, C12 max. |
| C22 max. | C22 | C22 |
| C23 | C20 max. | C19 max. |
| C25—27000 Ω | | |
| C24 max. | | |
| C25 | | |
| C22-10000 Ω-0,1 μF | | |
| C23 max. | | |
| C22 | | |
| | 16,7—51 m III | 198—585 m IV |
| | VOL. max. C10, C11, C12 + 15° | VOL. max. 744 kc/s — Y |
| | 17 Mc/s — Y | C10, C11, C12 max. |
| | C16 max. | 1000 kc/s — Y |
| | | C46 min. |
| 725—2000 m II | | |
| VOL. max. | | |
| C10, C11, C12 max. | | |
| 128 kc/s — Y | | |
| C13 min. | | |

15° 09 992 44.0



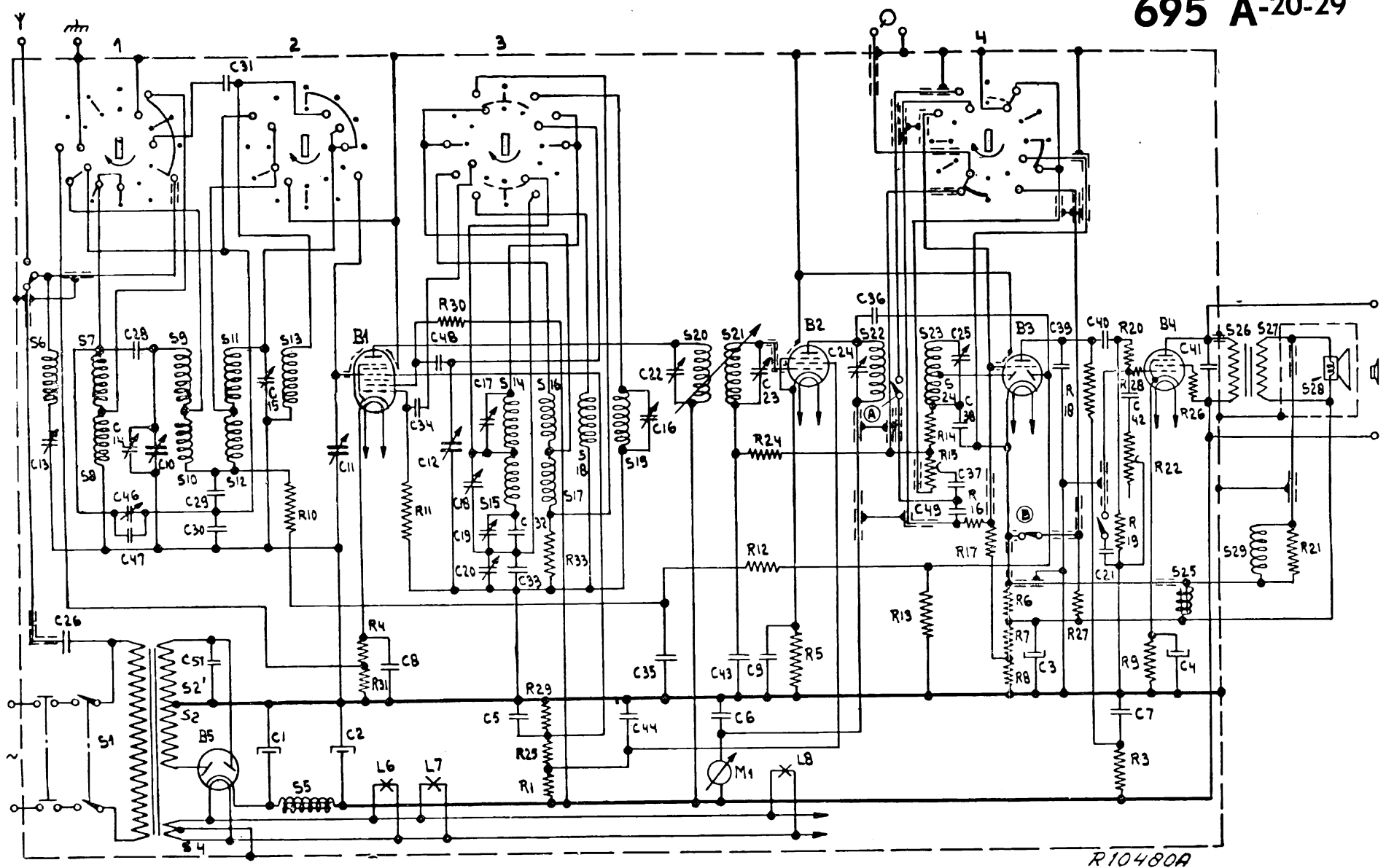
R10474A

| | B1 | B2 | B3 | B4 | B5 | |
|--------|------|------|-------|------|------|----|
| | EK 2 | EF 5 | EBC 3 | EL 3 | EZ 3 | |
| Va | 280 | 250 | 105 | 265 | | V |
| Vg2 | 80 | 80 | — | 280 | | V |
| Vg3(5) | 80 | — | — | — | | V |
| -Vg1 | 2 | 7 | 6,3 | 7,2 | | V |
| Ia | 1,9 | 5,5 | 1,1 | 39 | | mA |
| Ig2 | 1,6 | 1,7 | — | 4,1 | | mA |
| Ig3(5) | 4 | — | — | — | | mA |

| | | | | | |
|-----|-----------|----------------|-------------------|-----------|----------------|
| R1 | 82000/2 Ω | 48 427 10/82K | C1 | 32 μF | 28 182 40.0 |
| R3 | 47000 Ω | 48 425 10/47K | C2 | 32 μF | 28 182 40.0 |
| R4 | 390 Ω | 48 425 10/390E | C3 | 50 μF | 49 020 01.0 |
| R5 | 1200 Ω | 48 425 10/1K2 | C4 | 50 μF | 49 020 01.0 |
| R6 | 33 Ω | 48 425 10/33E | C5 | 0,1 μF | 48 751 10/100K |
| R7 | 2700 Ω | 48 425 10/2K7 | C6 | 0,1 μF | 48 751 10/100K |
| R8 | 3900 Ω | 48 425 10/3K9 | C7 | 0,47 μF | 48 751 10/470K |
| R9 | 220 Ω | 48 426 10/220E | C8 | 47000 Ω | 48 751 10/47K |
| R10 | 0,1 MΩ | 48 425 10/100K | C9 | 0,1 μF | 48 751 10/100K |
| R11 | 27000 Ω | 48 425 10/27K | C10 | 11-496 pF | |
| R12 | 1 MΩ | 48 425 10/1M | C11 | 11-490 pF | 28 211 42.1 |
| R13 | 0,47 MΩ | 48 425 10/470K | C12 | 11-490 pF | |
| R14 | 0,1 MΩ | 48 425 10/100K | C13 | 12-270 pF | — |
| R15 | 0,5 MΩ | 28 811 26.1 | C14 | 2,5-30 pF | — |
| R16 | 1,5 MΩ | 48 426 10/1M5 | C15 | 2,5-30 pF | — |
| R17 | 1,5 MΩ | 48 426 10/1M5 | C16 | 2,5-30 pF | 28 211 83.1 |
| R18 | 0,1 MΩ | 48 426 10/100K | C17 | 2,5-30 pF | — |
| R19 | 0,8 MΩ | 48 425 10/820K | C18 | 2,5-30 pF | — |
| R20 | 0,1 MΩ | 48 425 10/100K | C19 | 12-170 pF | 28 211 31.0* |
| R21 | 470 Ω | 48 425 10/470E | C20 | 12-170 pF | 28 211 31.0* |
| R22 | 5 MΩ | 28 811 49.0 | C21 | 0,2 μF | 48 751 10/220K |
| R24 | 1,5 MΩ | 48 426 10/1M5 | C22 | 12-170 pF | 28 211 31.0* |
| R25 | 10000 Ω | 48 426 10/10K | C23 | 12-170 pF | — |
| R26 | 33 Ω | 48 425 10/33E | C24 | 12-170 pF | 28 211 31.0* |
| R27 | 33 Ω | 48 425 10/33E | C25 | 12-170 pF | — |
| R28 | 1000 Ω | 48 426 10/1K | C26 | 500 pF | 48 429 10/500E |
| R29 | 27000 Ω | 48 426 10/27K | C28 | 10 pF | 48 406 99/10E |
| R30 | 27000 Ω | 48 426 10/27K | C29 | 15000 pF | 48 751 10/15K |
| R31 | 2700 Ω | 48 425 10/2K7 | C30 | 27000 pF | 48 751 10/27K |
| R33 | 2700 Ω | 48 425 10/2K7 | C31 | 15 pF | 48 406 10/15E |
| | | | C32 | 530 pF | 48 429 02/530E |
| | | | C33 | 1500 pF | 48 429 02/1K5 |
| | | | C34 | 47 pF | 48 406 10/47E |
| | | | C35 | 0,1 μF | 48 751 10/100K |
| | | | C36 | 10 pF | 48 406 99/10E |
| | | | C37 | 2200 pF | 48 751 10/2K2 |
| | | | C38 | 100 pF | 48 406 10/100E |
| | | | C39 | 400 pF | 48 429 10/400E |
| | | | C40 | 22000 pF | 48 751 10/22K |
| | | | C41 | 4000 pF | 28 199 71.0 |
| | | | C42 | 8000 pF | 28 198 98.0 |
| | | | C43 | 0,1 μF | 48 751 10/100K |
| | | | C44 | 0,1 μF | 48 751 10/100K |
| | | | C46 | 2,5-30 pF | 28 211 83.1 |
| | | | C47 | 22 pF | 48 406 10/22E |
| | | | C48 | 500 pF | 48 429 10/500E |
| | | | C49 | 250 pF | 48 429 10/250E |
| | | | C51 | 20000 pF | 28 201 65.0 |
| | | | C52 ¹⁾ | 20000 pF | 28 201 65.0 |
| | | | Z1 ²⁾ | 0,3 A | 08 100 96.1 |
| | | | Z2 ²⁾ | 0,3 A | 08 100 96.1 |

| | | | |
|----------------------|--------------|----------|-------------|
| S1, S2, S4 | 28 529 53.0 | S25 | 28 546 21.2 |
| S5 | 28 546 08.1 | S26, S27 | 28 527 45.1 |
| S6, S13 | 28 570 48.1* | S28 | 28 220 23.0 |
| S7, S8, C14, S9, S10 | 28 570 54.1 | S29 | 28 587 17.0 |
| S11, S12, C15 | 28 570 49.1* | | |
| S13, S14, S15, S16 | 28 570 86.2 | | |
| S17, C17, C18 | 28 587 31.0* | | |
| S18, S19 | 28 570 53.1 | | |
| S20, S21, C23 | 28 570 72.0 | | |
| S22, S23, S24, C25 | | | |

¹⁾ A-04
²⁾ A-14



R10480A

