

PHILIPS-SERVICE

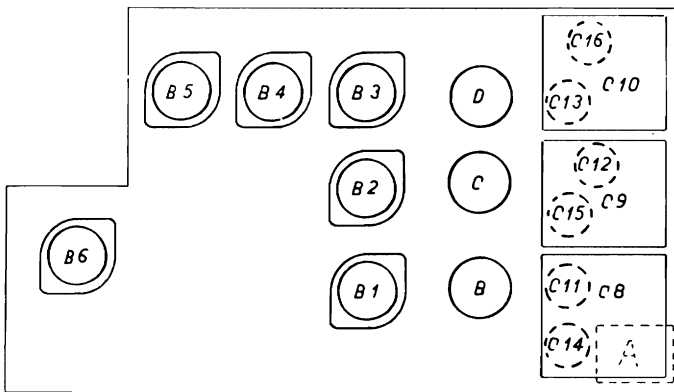
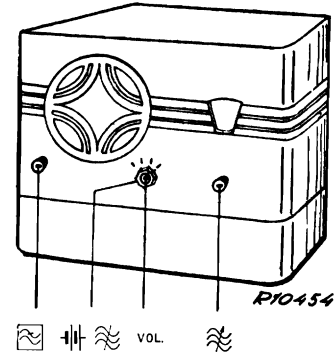
738 B

200—600 m
850—2000 m

4283 Z = 9 Ω

130 V, 60 V, —3V

| 200—600 m III | 850—2000 m III |
|-----------------------|-----------------------|
| VOL. max | VOL. max |
| ≠ C8, C9, C10 ↻ 225 m | ≠ 300 kc/s—Y |
| ≠ 1333 kc/s—Y | ≠ C8, C9, C10 ↻ 1000m |
| ≠ C11, C12, C13 max ≡ | ≠ C14, C15, C16 |
| ≠ 600 kc/s—Y | |
| ≠ C8, C9, C10 ↻ 500 m | |
| ↑ ↻ 500 m | |



R12544

| | | | | | |
|-----|---------|----------------|-----|----------|----------------|
| R1 | 39000 Ω | 48 427 10/39K | C1 | 1 μF | |
| R2 | 4700 Ω | 48 427 10/4K7 | C2 | 0,5 μF | |
| R3 | 68000 Ω | 48 427 10/68K | C4 | 0,1 μF | — |
| R4 | 0,68 MΩ | 48 427 10/680K | C5 | 0,1 μF | |
| R5 | 330 Ω | 48 425 10/330E | C17 | 0,1 μF | |
| R6 | 180 Ω | 48 425 10/180E | C3 | 0,1 pF | 48 751 10/100K |
| R7 | 39 Ω | 48 425 10/39E | C6 | 250 pF | 48 429 10/250E |
| R8 | 1000 Ω | 48 426 10/1K | C7 | 80 pF | 48 429 10/80E |
| R9 | 1 MΩ | 48 426 10/1M | C8 | 0-430 pF | |
| R10 | 2,2 MΩ | 48 427 10/2M2 | C9 | 0-430 pF | — |
| R11 | 0,33 MΩ | 48 425 10/330K | C10 | 0-430 pF | |
| R12 | 0,5 MΩ | 28 808 610* | C11 | 0-30 pF | 28 212 36.4 |
| R13 | 0,12 MΩ | 48 427 10/120K | C12 | 0-30 pF | 28 212 36.4 |
| R14 | 0,1 MΩ | 48 425 10/100K | C13 | 0-30 pF | 28 212 36.4 |
| R15 | 1 MΩ | 48 426 10/1M | C14 | 0-30 pF | 28 212 36.4 |
| R16 | 50000 Ω | 28 808 290* | C15 | 3-00 pF | 28 212 36.4 |
| R17 | 1 MΩ | 48 426 10/1M | C16 | 0-30 pF | 28 212 36.4 |
| R18 | 10000 Ω | 48 425 10/10K | C18 | 14-17 pF | 28 212 36.4 |
| R19 | 10000 Ω | 48 425 10/10K | C19 | 10000 pF | 4 8751 10/10K |
| R20 | 1,2 MΩ | 48 426 10/1M2 | C20 | 250 pF | 48 429 10/250E |
| R22 | 33000 Ω | 48 425 10/33K | C21 | 10000 pF | 48 751 10/10K |
| | | | C22 | 10000 pF | 48 752 10/10K |
| | | | C23 | 0-30 pF | 28 212 36.4 |
| | | | C24 | 0-30 pF | 28 212 36.4 |
| | | | C25 | 4700 pF | 48 757 20/4K7 |
| | | | C29 | 4700 pF | 48 757 20/4K7 |
| | | | C30 | 27000 pF | 48 751 10/27K |

| | B 1 | B 2 | B 3 | B 4 | B 5 | B 6 | |
|------|------|------|------|------|------|----------|----|
| | B225 | B262 | B228 | B262 | B217 | B240 | |
| Va | 123 | 123 | | 52 | 128 | 129 | V |
| Vg 2 | 52 | 52 | | 35 | — | — | V |
| —Vg | — | 0,3 | | 1,2 | 3 | — | V |
| Ia | 0,3 | 0,5 | | 0,35 | 2,8 | 2 × 1,15 | mA |
| Ig 2 | 0,07 | 0,11 | | 0,1 | — | — | mA |

Vf = 2V; If tot = 0,94 A

| | | | |
|----------------|-------------|--|--|
| S1, S2 | 28 560 810* | | |
| S3, S4, S5, S6 | — | | |
| S7, S8, S9 | — | | |
| S10, S11, S12 | — | | |
| S13, S14, S15 | — | | |
| S16, S17, S18 | — | | |
| S19 | — | | |

