

PHILIPS-SERVICE

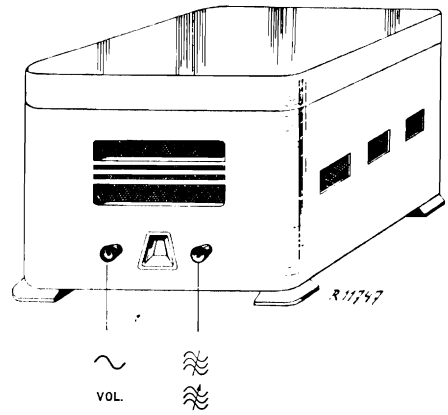
874 A

200-600 m
800-2000 m

25 777 200

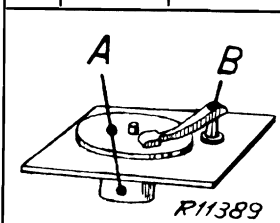
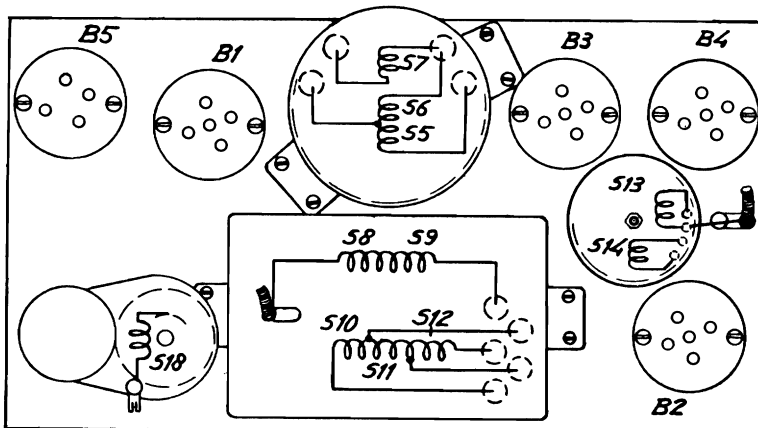
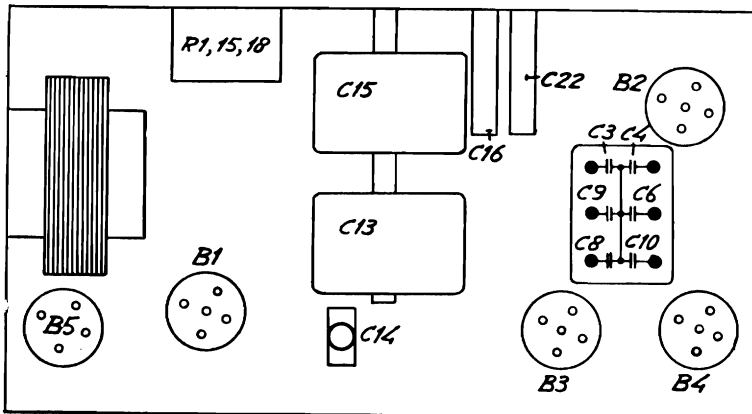
103-253 V

44 W



	200-600 m III	200-600 m V	800-2000 m III
VOL.	max.	max.	max.
	225 m-200 pF- Y	225 m-200 pF- Y	C13, C15 1000 m
	C13, C15 225 m	C13, C15 225 m	1000 m-200 pF- Y
	C16 max.	225 m	C22 max.

R1	1200 Ω	—	C1	15 μF	—
R2	39000 Ω	48 427 10/39K	C2	15 μF	—
R3	68000 Ω	48 427 10/68K	C3	1 μF	—
R5	27000 Ω	48 427 10/27K	C4	0,25 μF	—
R6	0,1 MΩ	48 426 10/100K	C6	0,25 μF	25 115 30.1
R7	0,39 MΩ	48 426 10/390K	C8	0,25 μF	—
R8	2,2 MΩ	48 426 10/2M2	C9	0,1 μF	—
R9	0,68 MΩ	48 426 10/680K	C10	0,5 μF	—
R10	680 Ω	48 427 10/680E	C5	0,1 μF	48 751 10/100K
R11	18000 Ω	48 427 10/18K	C7	0,1 μF	48 751 10/100K
R12	0,33 MΩ	48 427 10/330K	C11	100 pF	48 429 10/100E
R13	2,2 MΩ	48 426 10/2M2	C12	20 pF	48 429 10/20E
R14	0,33 MΩ	48 426 10/330K	C13	430 pF	25 828 85.0*
R15	390 Ω	48 427 10/390E	C15	430 pF	—
R17	68000 Ω	48 426 10/68K	C14	30 pF	28 212 36.4
R18	330 Ω	48 427 10/330E	C16	30 pF	28 212 36.4
R19	0,68 MΩ	48 426 10/680K	C17	640 pF	48 429 10/640E
R20	0,15 MΩ	—	C18	250 pF	48 429 10/250E
			C19	2200 pF	48 752 10/2K2
			C20	50 pF	48 429 10/50E
			C21	4700 pF	48 751 10/4K7
			C22	30 pF	28 212 36.4



A 2950
B 2983

	B1	B2	B3	B4	B5	
	E 455	E 462	E 499	C 453	1823	
Va	225	225	168	215	—	V
Vg2	80	115	—	225	—	V
Ia	1,9	2,8	0,12	20	—	mA

S1, S2, S3, S4	—
S5, S6, S7	25 960 10.0*
S8, S9, S10, S11, S12	25 960 11.0*
S13, S14	25 728 26.1*
S15, S16	25 647 99.0
S17	—
S18	25 960 78.0*

VC2 = 225 V.

Copyright
N.V. Philips Gloeilampenfabrieken,
Eindhoven
Imprimé en Hollande

