

PHILIPS SERVICE

BX 272 U-00-20

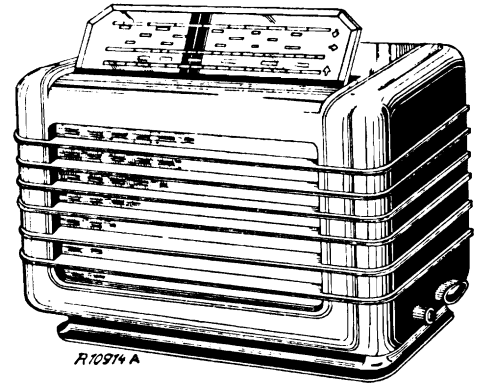
16,5—51 m (18,2— 5,88 Mc/s)
 200 — 565 m (1500 —530 kc/s)
 750 —1910 m (400 —157 kc/s)

9712—06 Z = 5 Ω
 9730 Z = 5 Ω

110, 200 V, R37: 125, 220 V
 125, 220 R37: 110, 200V

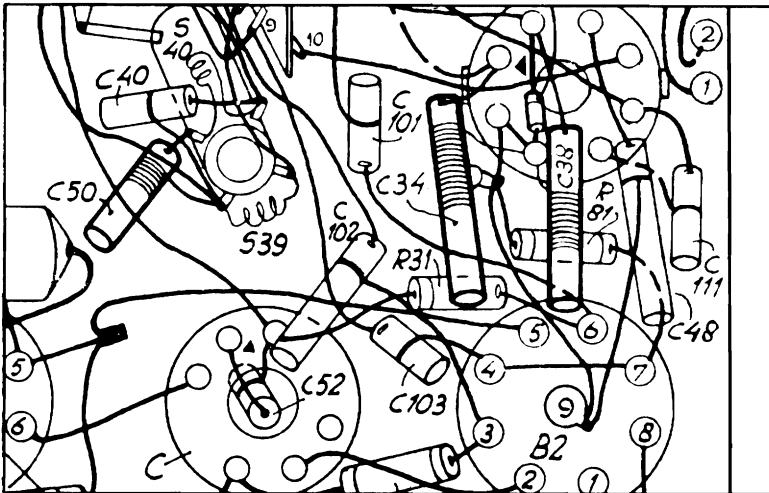
452 kc/s

40 W



16,5—51 m	200—565 m	200—565 m
VOL. min —25 pF—aB2 C8 15,2 Mc/s— C6, C8 15,2 Mc/s	VOL. max C6, C8 +15° 1420 kc/s— C38 max C18 max	1153 kc/s— C6, C8 1153 kc/s 260 m 750—1910 m
VOL. max C8 C6, C8 15,2 Mc/s C34 max	750—1910 m	1875 m 160 kc/s— C50 max
VOL. min —25pF—aB2 C8 160 kc/s— C6, C8 160 kc/s	VOL. max C8 C50 max	

15° A9 600 18.0



R 107 88 A

1947

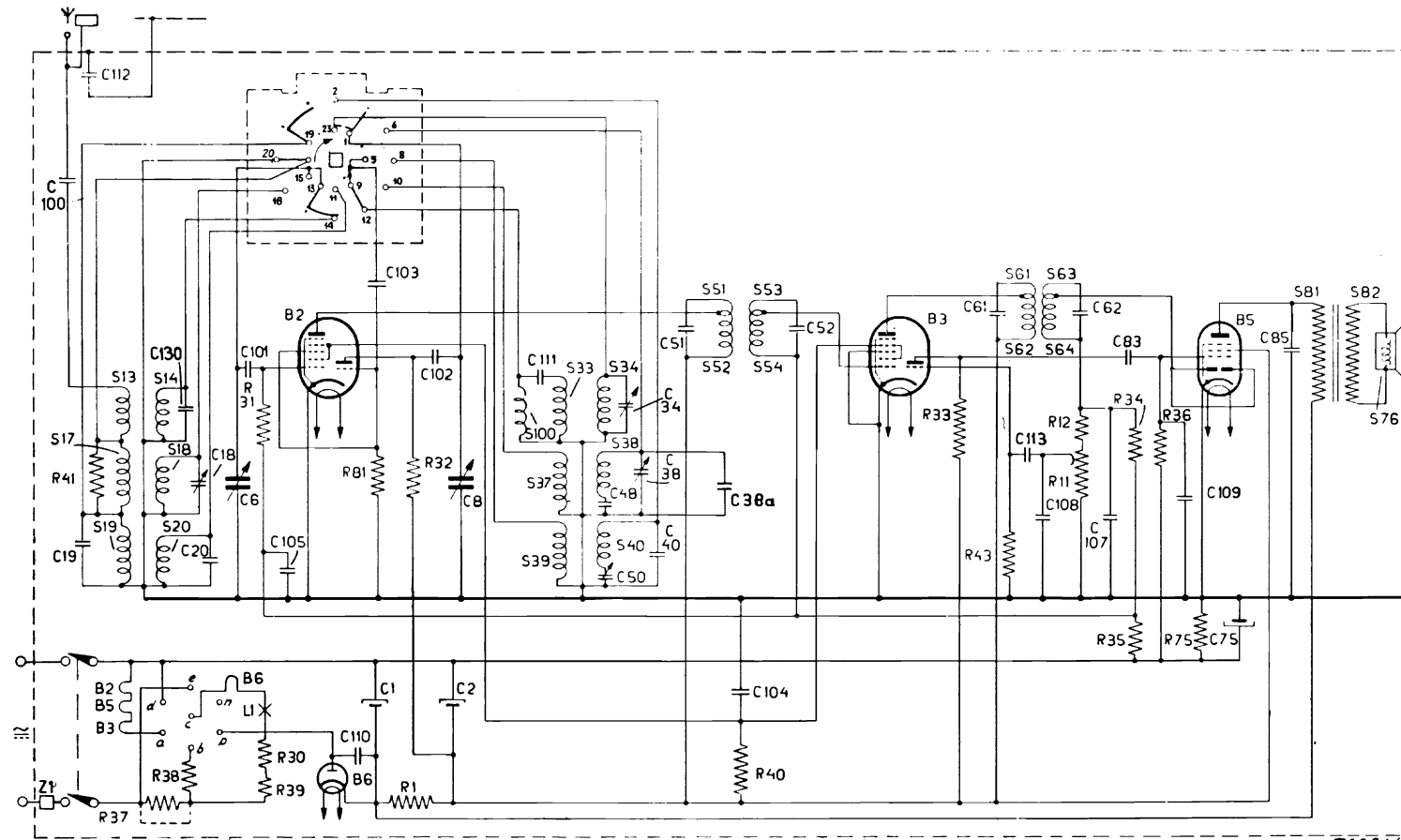
R1	1200 Ω	48 494 10/1K2	C11	50 + 50 μF	48 317 08/50
R11	0,5 MΩ	49 500 11.0	C21		+ 50
R12	47 kΩ	48 555 10/47K	C61	11-400 pF	A9 863 99.0
R30		49 379 62.0	C81		
R31	0,82 MΩ	48 555 10/820K	C18	3,5-50 pF	49 005 50.2
R32	10 kΩ	48 556 10/10K	C19	39 pF	48 203 10/39E
R33	68 kΩ	48 426 10/68K	C20	22 pF	48 201 05/22E
R34	1 MΩ	48 556 10/1M	C34	12,5 pF	49 005 48.2
R35	6,8 MΩ	48 427 10/6M8	C38	7,5-100 pF	49 005 51.2
R36	0,68 MΩ	48 555 10/680K	C38a	8,2 pF	48 201 20/8E2
R37	75 Ω		C40	49 pF	48 203 02/49E
R38	150 Ω	49 362 99.1	C48	421 pF	48 203 01/421E
R39	190 Ω		C50	20-275 pF	49 005 53.2
R40	10 kΩ	48 427 10/10K	C51		—
R41	18 kΩ	48 555 10/18K	C52		—
R43	6,8 MΩ	48 427 10/6M8	C61		—
R75	220 + 270 Ω	48 427 10/220E	C62		—
	par	48 557 10/270E	C75	100 μF	48 313 22/100
R81	47 kΩ	48 555 10/47K	C83	6800 pF	48 751 10/6K8
			C85	4700 pF	48 758 20/4K7
			C100	1000 pF	48 757 20/1K
			C101	120 pF	48 203 10/120E
			C102	470 pF	48 203 20/470E
			C103	82 pF	48 203 10/82E
			C104	47000 pF	48 751 10/47K
			C105	47000 pF	48 750 10/47K
			C107	100 pF	48 203 20/100E
			C108	68 pF	48 203 20/68E
			C109	150 pF	48 203 10/150E
			C110	22000 pF	48 758 20/22K
			C111	56 pF	48 203 10/56E
			C112	1000 pF	48 757 20/1K
			C113	22000 pF	48 750 10/22K
			C130	12 pF	48 201 10/12E
Z1	300 mA	08 100 96.2			

	B2	B3	B5	
	UCH 21	UCH 21	UBL 21	
Va	H = 135 T = 95	H = 135 T = 30	150	V
Vg2(+4)	H = 70 T = —	H = 70 T = —	135	V
Ia	H = 1,5 T = 3,5	H = 4,5 T = 1,6	42	mA
Ig2(+4)	H = 4,5 T = —	H = 3 T = —	7,5	mA

VC1 = 165 V, VC2 = 135 V, VC75 = 82 V

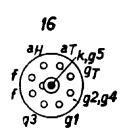
S17, S18, S19, S20 S13, S14, S33, } S34, S37, S38, } S100 S39, S40 S51, S52, S53, } S54, C51, C52 }	A3 120 18.0 A3 120 17.3 A3 110 04.0 A3 121 03.3	S61, S62, S63, } S64, C61, C62 } S76 S81, S82	A3 123 23.1 49 981 13.1 A1 081 82.0
L1	8095D-99		

BX 272 U-00-20



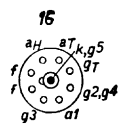
R10844A

UCH 2I



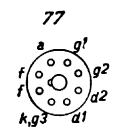
B2

UCH 2I



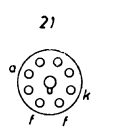
B3

UBL 2I

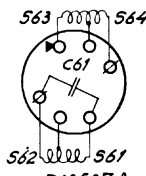
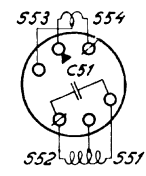
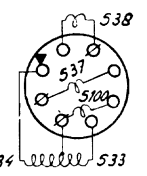
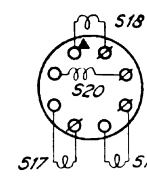


B5

UYIN



B6



R10507A