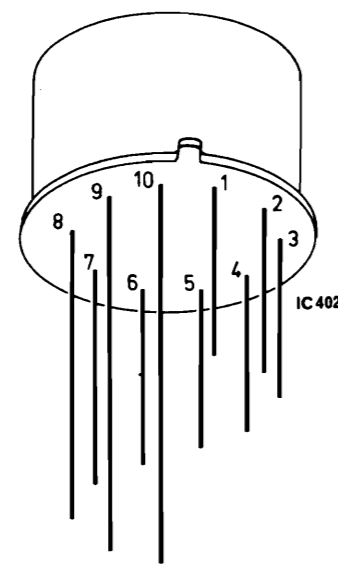


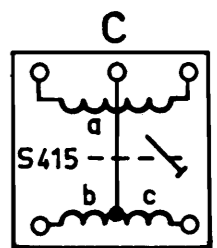
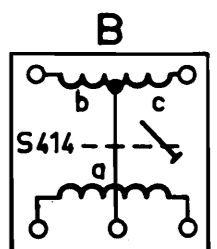
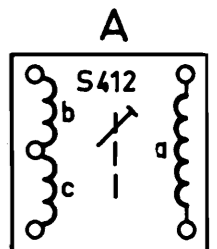
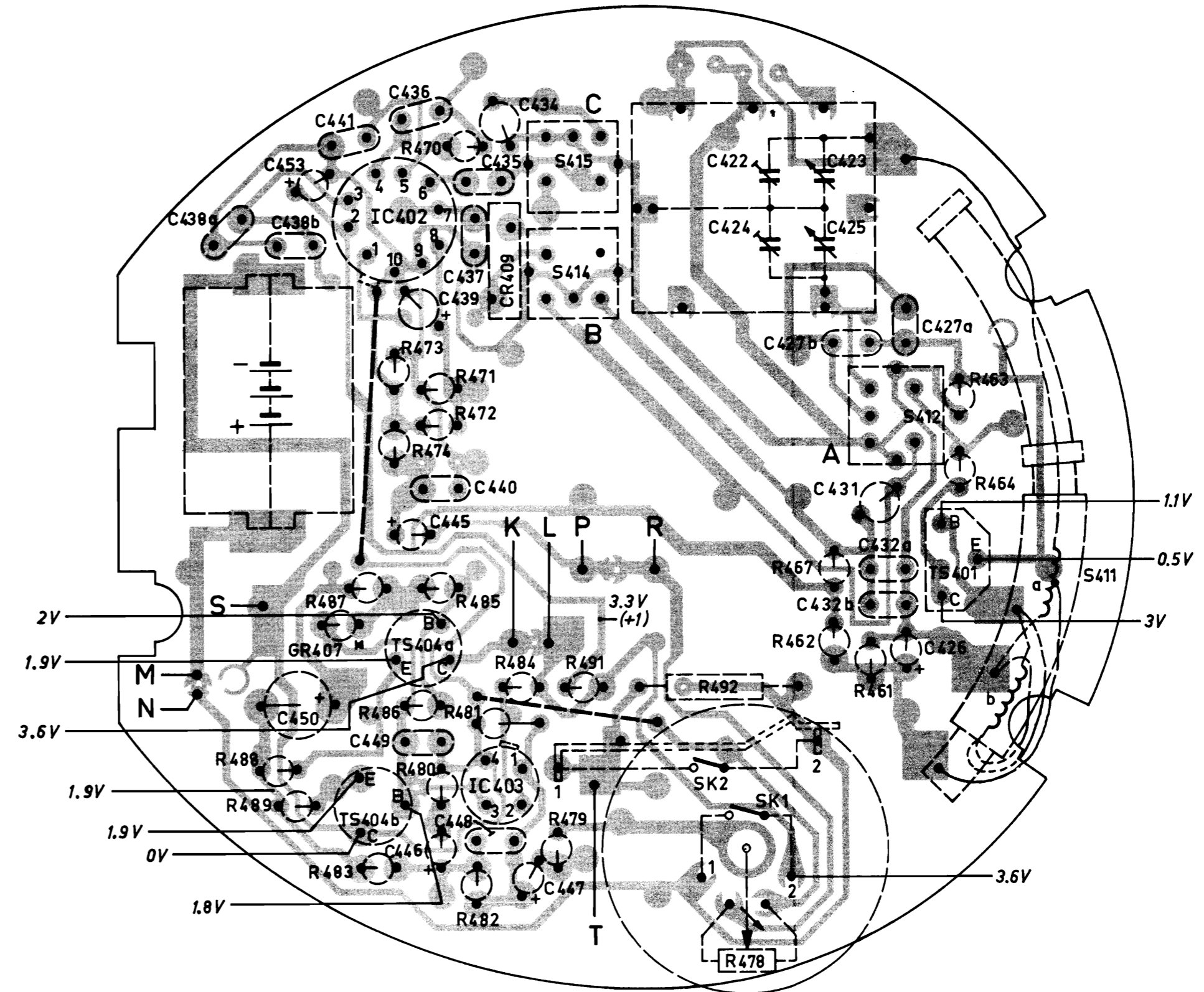


Kast, samenstelling	4822 420 10144
Oplaadeenheid 220 V	4822 218 10094
Oplaadeenheid 117 V	4822 218 10097
Netsnoer	4822 321 10056
Knop, afstemming	4822 412 30017
Knop, geluidsterkte	4822 413 40369
Beugel bevestiging ferroceptor	4822 404 10091
Voedingscontrastekker + moer	4822 267 30178
Accu (Ni Cd-cel)	4822 138 30006
Etui	22 ER 8025-05
Draagtasje	22 ER 8026-00
CR409	4822 242 70113
S411	4822 158 60235
S412	4822 156 30271
S414 +	
S415	4822 156 30244
S417	4822 240 30044
IC402	4822 209 80007
IC403	4822 209 80008
C426	4822 124 20077
C427a, b	4822 121 40047
C431	4822 121 50263
C432a, b	4822 121 40047
C434	4822 121 50263
C435	4822 121 40047
C436	4822 122 30052
C437	4822 122 40047
C438a, b	4822 121 40047
C439	4822 124 20031
C440	4822 121 40047
C441	4822 122 30091
C448	4822 122 30048
C449	4822 121 40047
C450	4822 124 20335
R471	4822 110 60092
R478	4822 101 90041
R488, 489	4822 116 60007
R492	4822 111 30098

S	414.415.	412.	411.
R	487.474.473.485.472.471.470.	463.464.	
R	488.489.483.486.480.482.481.484.479.491.	492.478.462.467.461.	
C	438a.453.438b.441.436.440.439.437.435.434.	422÷425.427b.431.427a.	
C	450.445.449.446.448.447.	432b.432a.426.	



TRA 3070



TRA 3081